

# PARTS LIST

[ CA-MXS6MDR ]

\* All printed circuit boards and its assemblies are not available as service parts.

Area suffix	
B	U.K.
E	Continental Europe
EN	Northern Europe

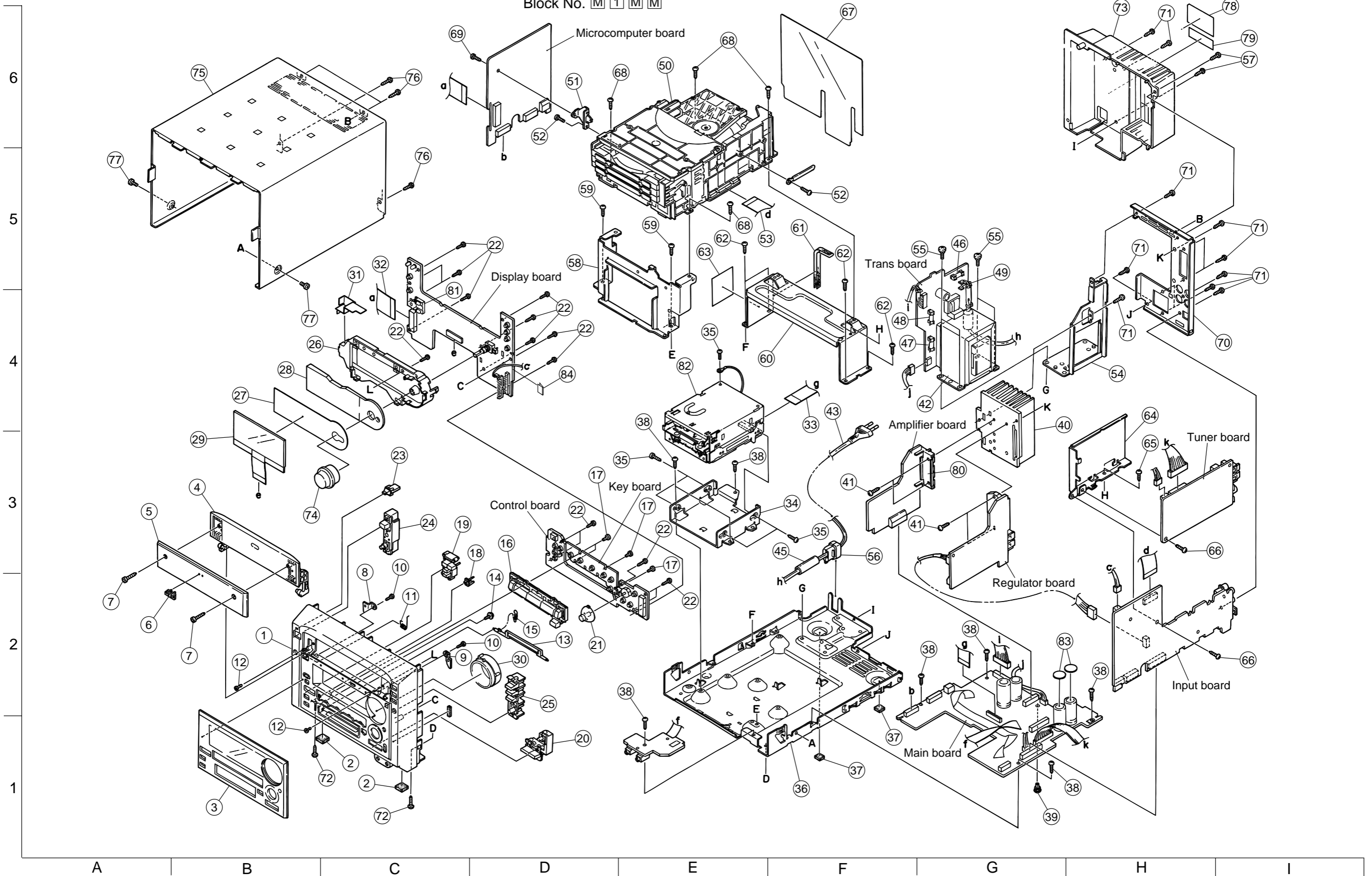
## - Contents -

Exploded view of general assembly and parts list .....	3-3
CD changer mechanism assembly and parts list .....	3-5
MD mechanism assembly and parts list .....	3-6
Electrical parts list .....	3-9
Packing materials and accessories parts list .....	3-22

<<MEMO>>

# Exploded view of general assembly and parts list

Block No. **M 1 M M**



■ Parts list(General assembly)

Block No. M1MM

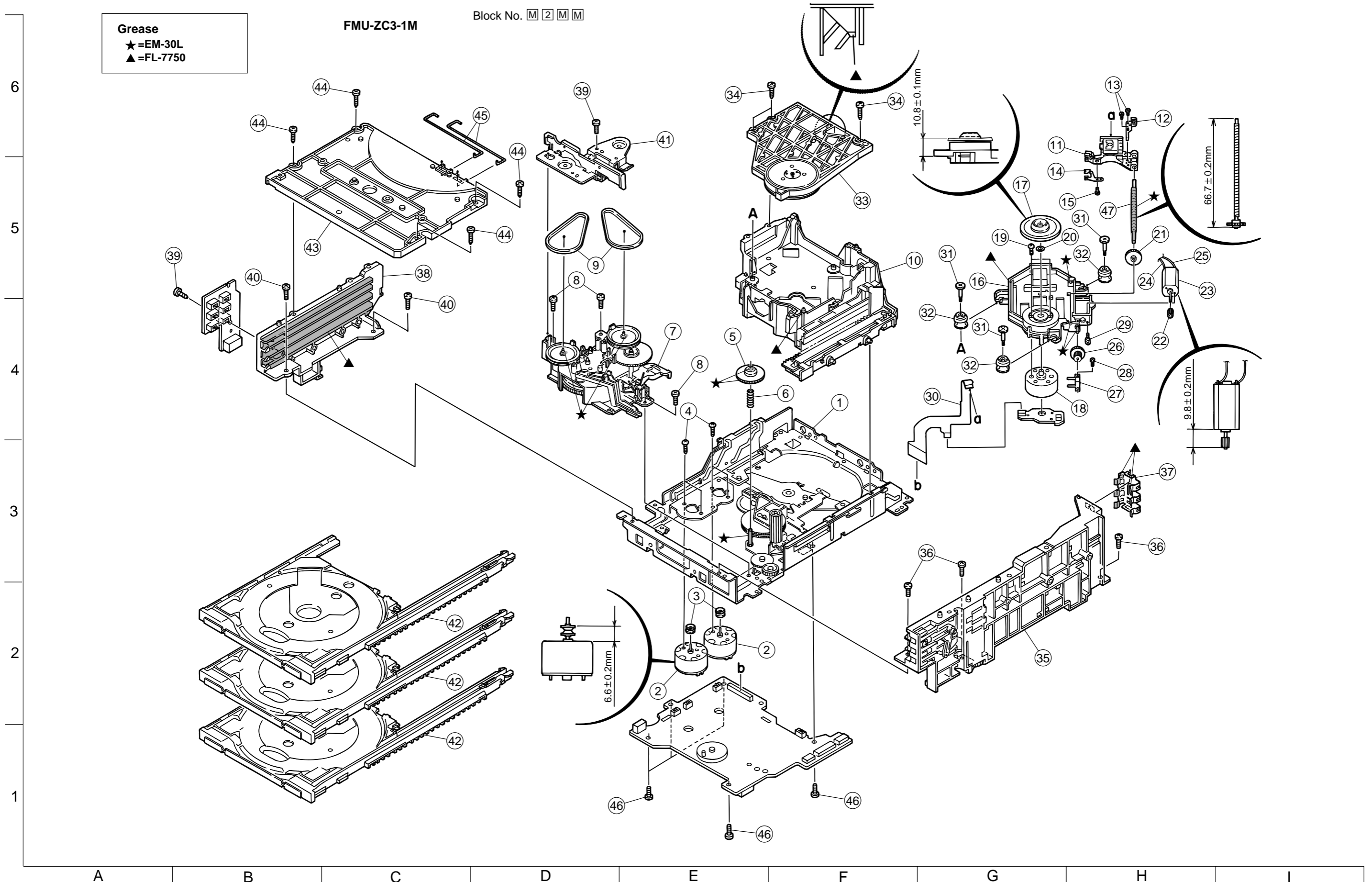
△	Item	Parts number	Parts name	Q'ty	Description	Area
	1	LV10386-002A	FRONT PANEL	1		
	2	E75896-002	FELT SPACER	2	FOOT	
	3	LV20766-002A	WINDOW SCREEN	1		
	4	LV20767-002A	CD DOOR	1	002A SPRAY PART	
	5	LV31907-004A	CD DOOR LENS	1	MX-S6MDR	
	6	E406971-001SM	JVC MARK	1	GOLD 14W	
	7	LV40744-001A	SOCKET BOLT	2		
	8	LV41694-001A	DOOR BKT(L)	1	FOR CD DOOR	
	9	LV41695-001A	DOOR BKT(R)	1	FOR CD DOOR	
	10	QYSBSF2608Z	T.SCREW	2	DOOR BKT+F.PANE	
	11	LV41696-001A	DOOR SPRING	1	FOR CD DOOR	
	12	E69897-002	CUSHION	2	FOR F.PANEL	
	13	LV31906-001A	SHUTTER	1	MD	
	14	E72405-001SS	SPECIAL SCREW	1	FOR SHUTTER	
	15	LV41165-003A	SPRING	1		
	16	LV20772-002A	PUSH BUTTON(PLY	1		
	17	QYSDSF2606M	SCREW	4	FOR KEY PWB-F	
	18	LV41698-001A	INDICATOR(REC	1		
	19	LV20771-002A	PUSH BUTTON(REC	1		
	20	LV20773-001A	PUSH BUTTON(ENT	1		
	21	LV31912-002A	BUTTON KNOB	1	002A-ENGRAVING	
	22	QYSBSF2608Z	T.SCREW	15	FOR KEY-E	
	23	LV41697-001A	INDICATOR(STAND	1		
	24	LV20770-003A	PUSH BUTTON(PWR	1		
	25	LV20774-002A	PUSH BUTTON(3CD	1		
	26	LV20768-002A	LENS HOLDER	1	002A-PS MS-500	
	27	LV41699-001A	LCD FILTER	1		
	28	LV31909-001A	LCD LENS	1		
	29	QLD0135-001	LCD MODULE	1		
	30	LV31910-001A	INDICATOR(VOL)	1		
	31	LV32139-002A	COVER	1		
	32	QUQ412-2310CM	FFC WIRE	1	KEY PWB-D--MICO	
	33	QUQ110-2118AJ	FFC WIRE	1	S2M- BOTTOM PWB	
	34	LV31914-001A	MD BKT	1		
	35	QYSBST3006Z	T.SCREW	5	S2M + MD BKT	
	36	LV10388-001A	BOTTOM CHASSIS	1		
	37	E75896-006	FELT SPACER	2	FOOT FOR BOTTOM	
	38	QYSBSG3008Z	T.SCREW	8	MD MECHA SA+BTM	
	39	QZW0036-002	PC SUPPORT	1	INSERT TO BOTTO	
	40	LV31924-002A	HEAT SINK	1	002A-BLK ALUMIT	
	41	QYSBSG3014Z	T.SCREW	4	IC HOLDER+H.SIN	
△	42	QQT0298-002	POWER TRANSF	1	T9001	
△	43	QMPN100-200-JD	POWER CORD	1		
		QMPK150-200-JD	POWER CORD	1		
	45	QQR0917-001	NOISE FILTER	1		
△	46	QMF51E2-R63-J1	FUSE	1	PRI F9009	
△	47	QMF51E2-1R0-J1	FUSE	1	SEC F9001	
△	48	QMF51E2-3R15-J1	FUSE	1	SEC F9002	

■ Parts list(General assembly)

Block No. M1MM

△	Item	Parts number	Parts name	Q'ty	Description	Area
	49	E307572-001	FASTENER	1	PWR CORD ON PWB	
	50	-----	JEM 3CD CHANGER	1	BDL1093-001U	
	51	LV31918-001A	CB BKT	1	TO ZC3 LEFT SID	
	52	QYSBSF3010Z	SCREW	2	CB BKT + ZC3	
	53	QUQ110-1912BJ	FFC WIRE	1	ZC3--INPUT PWB	
	54	LV31915-001A	HEAT SINK BKT	1		
	55	QYSDSTL4008E	SPECIAL SCREW	4	TRANS SA+BOTTOM	
	56	QZW0033-001	STRAIN RELIEF	1	FOR POWER CORD	
	57	QYSBSGY3008M	SPECIAL SCREW	2	R.COVER+R.PANEL	
	58	LV20793-001A	CD BKT(F)	1		
	59	QYSBSG3008Z	T.SCREW	2	CD BKT(F)+BOTTO	
	60	LV20779-001A	CD BKT(R)	1		
	61	LV41897-001A	SPACER	1	TO CD BKT(R) ED	
	62	QYSBSG3008Z	T.SCREW	4	CD BKT(R)+BOTTO	
	63	E406507-001	LASER CAUTION	1	TO CD BKT(R)LEF	
	64	LV31990-001A	TUNER BKT	1		
	65	QYSBSG3008Z	T.SCREW	1	TU.BKT+CD BKT(R	
	66	QYSBSG3008Z	T.SCREW	2	INPUT PWB+TU.BK	
	67	LV31920-002A	HEAT BARRIER	1		
	68	QYSBST3006Z	T.SCREW	4	ZC3+CD BKT(F/R)	
	69	QYSBSG3008Z	T.SCREW	1	MICON PWB+ZC3	
	70	LV20778-002A	REAR PANEL	1		
	71	QYSBSGY3008M	SPECIAL SCREW	10	H.SINK BK+H.SIN	
	72	QYSBSG3008Z	T.SCREW	2	F.PANEL+BOTTOM	
	73	LV10387-004A	REAR COVER	1		
	74	LV31911-002A	VOL.KNOB	1	MASTER VOL	
	75	LV20781-002A	METAL COVER	1	001A=WITH F.BEN	
	76	QYSBSG3010E	T.SCREW	4	REAR UPPER RIGH	
	77	QYSDSG3006N	T.SCREW	2	L / R SIDE	
	78	LV31922-003A	NAME PLATE	1	TO REAR COVER	
	79	VND4118-004	CAUTION LABEL	1	TO REAR COVER	
	80	LV31916-001A	IC HOLDER	1		
	81	LV31908-002A	LED HOLDER	1	002A-ABS 777D	
	82	-----	JEM MD UNIT	1		
	83	E75303-003	SHIELD TAPE	2		
	84	LV30225-011A	SPACER	1		

# CD changer mechanism assembly and parts list



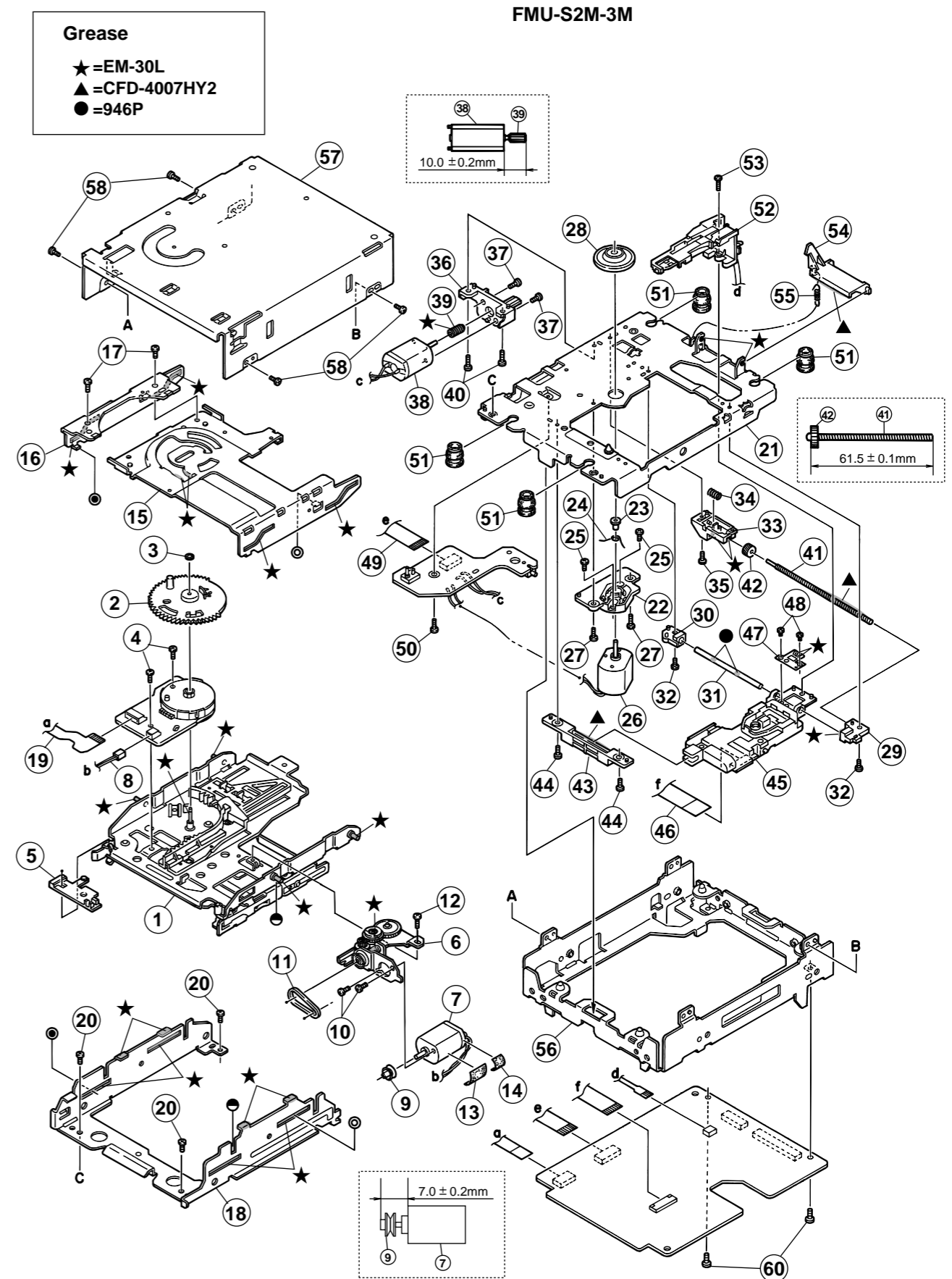
Parts list(CD changer mechanism)

Block No. M2MM

Item	Parts number	Parts name	Q'ty	Description	Area
1	LV20581-001A	CHASSIS UNIT	1		
2	RF-500TB-12560	MOTOR	2		
3	VKS5548-001	MOTOR PULLEY	2		
4	QYSPSP2603Z	SCREW	4		
5	LV31586-001A	SELECT GEAR	1		
6	LV41427-001A	SELECT SPRING	1		
7	LV20588-001A	GEAR BASE UNIT	1		
8	QYSDST2606Z	SCREW	3		
9	LV41431-001A	BELT	2		
10	LV20586-001A	SUB CHAS. UNIT	1		
11	OPTIMA-725A1	CD PICK UNIT	1		
12	LV32013-003A	RACK ARM	1		
13	QYSPSPT1720M	MINI SCREW	2		
14	LV31744-001A	P.S.SPRING	1		
15	QYSPSGT1425M	TAP SCREW	1		
16	VKS1161-005	T.MECHA CHASSIS	1		
17	LV31745-001A	TURN TABLE ASSY	1		
18	QAR0123-001	SPINDLE MOTOR	1		
19	VKZ4743-001	SPECIAL SCREW	2		
20	WFM214025	WASHER	1		
21	VKS5556-001	S.S. GEAR	1		
22	VKS5557-001	F.M. GEAR	1		
23	PPN-13KA10C	MOTOR	1		
24	VWE292-07AZAZ	UL VINYL WIRE	1		
25	VWE290-08AZAZ	WIRE	1		
26	VKS5558-001	MIDDLE GEAR	1		
27	VKM3904-001	SHAFT HOLDER	1		
28	VKZ4248-204	MINI TAP SCREW	1		
29	QYSPSPL2004Z	SCREW	1		
30	LVB30006-001A	FPC	1		
31	LV41424-001A	SPECIAL SCREW	3		
32	LV41659-001A	INSULATOR	3		
33	LV31799-001A	CLAMPER UNIT	1		
34	QYSBSF2608Z	T.SCREW	3		
35	LV20594-001A	SIDE(R) UNIT	1		
36	QYSDST2606Z	SCREW	3		
37	LV31575-001A	CLICK SPRING	1		
38	LV10308-001A	SIDE BKT(L)	1		
39	QYSBSF2608Z	T.SCREW	1		
40	QYSDST2606Z	SCREW	2		
41	LV32067-001A	FLAP BASE UNIT	1		
42	LV20590-001A	TRAY UNIT	3		
43	LV10309-001A	TOP COVER	1		
44	QYSBSF2608Z	T.SCREW	4		
45	LV41429-002A	ROD	2		
46	QYSDST2606Z	SCREW	5		
47	VKZ4781-002	SCREW SHAFT	1		

MD mechanism assembly and parts list

Block No. M3MM



## ■ Parts list(MD mechanism)

Block No. M3MM

△	Item	Parts number	Parts name	Q'ty	Description	Area
	1	LV20548-003A	LOADING ASSY	1		
	2	LV31472-002A	CAM GEAR	1		
	3	QYWDL1230254	SLIT WASHER	1		
	4	LV41477-001A	MINI TAP SCREW	2	CAM SW PWB	
	5	LV32168-001A	WIRE HOLDER	1		
	6	LV31710-001A	L.MOTOR ASSY	1		
	7	QAR0144-001	MOTOR	1		
	8	WJM0117-003A	E-SI C WIRE C-F	1		
	9	LV41341-001A	MOTOR PULLEY	1		
	10	QYSPSPT2020M	MINI SCREW	2	LOAD.MOTOR	
	11	LV41342-001A	BELT	1		
	12	LV41477-001A	MINI TAP SCREW	1	L.MOTOR BKT.	
	13	LV30225-068A	SPACER	1		
	14	LV30225-085A	SPACER	1		
	15	LV20543-001A	SLIDE BASE R	1		
	16	LV31483-001A	SLIDE BASE L	1		
	17	LV41477-001A	MINI TAP SCREW	2	SLIDE BASE	
	18	LV10286-001A	LOAD.MECHA BASE	1		
	19	LVB40003-001A	FPC CABLE	1		
	20	LV41477-001A	MINI TAP SCREW	3	L.MECHA BASE	
	21	LV31709-002A	TM.CHASSIS ASSY	1		
	22	LV20545-001A	SP.MOTOR BASE	1		
	23	LE40515-001A	COLLAR	1		
	24	LE40516-001A	SPRING	1		
	25	QYSPSPU1720N	SCREW	2	SP.MOTOR	
	26	FF-110PH-08280	SP.MOTOR	1		
	27	LV41477-001A	MINI TAP SCREW	2	SP.MOTOR BASE	
	28	LE30470-202A	T.TABLE ASSY	1		
	29	LV41343-001A	SHAFT HOLDER R	1		
	30	LV41344-002A	SHAFT HOLDER F	1		
	31	VKH5803-001	GUIDE SHAFT	1		
	32	LV41477-001A	MINI TAP SCREW	2	SHAFT HOLDER	
	33	LV31484-001A	T.SPRING HOLDER	1		
	34	LV41350-001A	COM.SPRING	1		
	35	LV41477-001A	MINI TAP SCREW	1	T.SP.HOLDER	
	36	LV31485-001A	FEED MOTOR BKT.	1		
	37	QYSPSPT2025N	MINI SCREW	2	FEED MOTOR	
	38	QAR0144-001	MOTOR	1	(FEED MOTOR)	
	39	LV41345-001A	FEED WORM	1		
	40	LV41477-001A	MINI TAP SCREW	2	FEED MOTOR BKT.	
	41	LV41346-001A	SCREW SHAFT	1		
	42	LV41347-001A	S.SHAFT GEAR	1		
	43	LV31486-001A	PICK UP GUIDE	1		
	44	LV41477-001A	MINI TAP SCREW	2	P-UP GUIDE	
	45	KMS-260B	MD PICK UNIT	1		
	46	EMW30028-001	FPC CABLE	1		
	47	LV41348-001A	RACK SPRING	1		
	48	QYSPSPT1414M	MINI SCREW	2	RACK SPRING	

■ Parts list(MD mechanism)

Block No. M3MM

△	Item	Parts number	Parts name	Q'ty	Description	Area
	49	QUQ110-0904BJ	FFC WIRE	1		
	50	LV41477-001A	MINI TAP SCREW	1	T.MECHA PWB	
	51	LV40761-003A	INSULATOR	4		
	52	QAH0039-002	MD HEAD	1		
	53	QYSPSPT1740N	MINI SCREW	1	MD HEAD	
	54	LV31487-001A	HEAD LIFTER	1		
	55	LV41349-001A	H.LIFTER SPRING	1		
	56	LV10284-001A	SINGLE FRAME	1		
	57	LV10285-002A	MECHA COVER	1		
	58	LV41477-001A	MINI TAP SCREW	4	MECHA COVER	
	59	LV30225-068A	SPACER	1		
	60	VKZ4539-024	MINI SCREW	2	SERVO PWB	



■ Electrical parts list(Main board)

Block No. 01

△	Item	Parts number	Parts name	Remarks	Area
	CN301	QGB2510J1-04	CONNECTOR		
	CN302	QGB1214J1-18S	CONNECTOR		
	CN303	QGB1214J1-18S	CONNECTOR		
	CN304	QGB2510J1-12	CONNECTOR		
	CN394	QGB2510K2-12	CONNECTOR		
	CN511	QGF1016C1-21	CONNECTOR		
	CN602	QGB1216J1-06S	CONNECTOR		
	CN603	QGA2001F1-02	2P CONNECTOR		
	CN661	QGF1016F3-19	CONNECTOR		
	CN691	QGA2501C1-03	3P CONNECTOR		
	CN692	QGB1216K1-06S	CONNECTOR		
	CN911	QGA2501C1-08	8P CONNECTOR		
	CN912	QGB2510J1-14	CONNECTOR		
	CN913	QGB1214J1-14S	CONNECTOR		
	CN914	QGB2510J1-09	CONNECTOR		
	CN922	QGB2510K2-14	CONNECTOR		
	CN923	QGB1214K1-14S	CONNECTOR		
	C1001	QFLM1HJ-223Z	M CAPACITOR	.022MF 5% 50V	
	C1002	QFLM1HJ-103Z	M CAPACITOR	.010MF 5% 50V	
	C1003	QFLC1HJ-104Z	M CAPACITOR	.10MF 5% 50V	
	C1007	QCSB1HK-3R3Y	C CAPACITOR	3.3PF 10% 50V	
	C1008	QFLC1HJ-104Z	M CAPACITOR	.10MF 5% 50V	
	C1010	QTE1H28-475Z	E CAPACITOR		
	C1011	QTE1H28-225Z	E CAPACITOR		
	C1012	QCBB1HK-471Y	C CAPACITOR	470PF 10% 50V	
	C1020	QCBB1HK-221Y	C CAPACITOR	220PF 10% 50V	
	C1021	QTE1H28-476Z	E CAPACITOR		
	C1022	QCBB1HK-101Y	C CAPACITOR	100PF 10% 50V	
	C1101	QDGB1HK-102Y	C CAPACITOR		
	C1301	QETN1EM-106Z	E CAPACITOR	10MF 20% 25V	
	C1302	QETN1HM-106Z	E CAPACITOR	10MF 20% 50V	
	C1304	QETN1HM-106Z	E CAPACITOR	10MF 20% 50V	
	C2001	QFLM1HJ-223Z	M CAPACITOR	.022MF 5% 50V	
	C2002	QFLM1HJ-103Z	M CAPACITOR	.010MF 5% 50V	
	C2003	QFLC1HJ-104Z	M CAPACITOR	.10MF 5% 50V	
	C2007	QCSB1HK-3R3Y	C CAPACITOR	3.3PF 10% 50V	
	C2008	QFLC1HJ-104Z	M CAPACITOR	.10MF 5% 50V	
	C2010	QTE1H28-475Z	E CAPACITOR		
	C2011	QTE1H28-225Z	E CAPACITOR		
	C2012	QCBB1HK-471Y	C CAPACITOR	470PF 10% 50V	
	C2020	QCBB1HK-221Y	C CAPACITOR	220PF 10% 50V	
	C2021	QTE1H28-476Z	E CAPACITOR		
	C2022	QCBB1HK-101Y	C CAPACITOR	100PF 10% 50V	
	C2101	QDGB1HK-102Y	C CAPACITOR		
	C2301	QETN1EM-106Z	E CAPACITOR	10MF 20% 25V	
	C2302	QETN1HM-106Z	E CAPACITOR	10MF 20% 50V	
	C2304	QETN1HM-106Z	E CAPACITOR	10MF 20% 50V	
	C3001	QETN1HM-105Z	E CAPACITOR	1.0MF 20% 50V	
	C3004	QETN1HM-106Z	E CAPACITOR	10MF 20% 50V	
	C3005	QETN1EM-476Z	E CAPACITOR	47MF 20% 25V	
	C3010	QETN1HM-224Z	E CAPACITOR	.22MF 20% 50V	
	C3011	QETN1AM-107Z	E CAPACITOR	100MF 20% 10V	
	C3012	QETN1VM-107Z	E CAPACITOR	100MF 20% 35V	
	C3013	QETN1HM-106Z	E CAPACITOR	10MF 20% 50V	
	C3014	QETN1HM-106Z	E CAPACITOR	10MF 20% 50V	
	C3015	QETN1VM-107Z	E CAPACITOR	100MF 20% 35V	
	C3016	QETN1HM-106Z	E CAPACITOR	10MF 20% 50V	
	C3017	QETN1HM-474Z	E CAPACITOR	.47MF 20% 50V	
	C3103	QCFB1HZ-104Y	C CAPACITOR	.10MF +80:-20%	
	C3201	QETN1HM-105Z	E CAPACITOR	1.0MF 20% 50V	
	C3301	QEZ0428-228	E.CAPACITOR	2200MF	
	C3302	QEZ0428-228	E.CAPACITOR	2200MF	
	C3303	QFLC2AJ-103Z	M.CAPACITOR	.010MF 5% 100V	

△	Item	Parts number	Parts name	Remarks	Area
	C3304	QFLC2AJ-103Z	M.CAPACITOR	.010MF 5% 100V	
	C6101	QETN1HM-106Z	E CAPACITOR	10MF 20% 50V	
	C6103	QETN1HM-106Z	E CAPACITOR	10MF 20% 50V	
	C6104	QETN1HM-106Z	E CAPACITOR	10MF 20% 50V	
	C6105	QTE1H28-225Z	E CAPACITOR		
	C6106	QETN1HM-106Z	E CAPACITOR	10MF 20% 50V	
	C6107	QER61HM-106Z	E CAPACITOR	10MF 20% 50V	
	C6110	QFLM1HJ-183Z	M CAPACITOR	.018MF 5% 50V	
	C6111	QFLM1HJ-223Z	M CAPACITOR	.022MF 5% 50V	
	C6112	QFVF1HJ-154Z	MF CAPACITOR	.15MF 5% 50V	
	C6113	QFVF1HJ-154Z	MF CAPACITOR	.15MF 5% 50V	
	C6114	QFLM1HJ-562Z	M CAPACITOR	5600PF 5% 50V	
	C6115	QTE1H28-226Z	E CAPACITOR		
	C6116	QFLM1HJ-472Z	M CAPACITOR	4700PF 5% 50V	
	C6117	QFLC1HJ-104Z	M CAPACITOR	.10MF 5% 50V	
	C6118	QFLC1HJ-104Z	M CAPACITOR	.10MF 5% 50V	
	C6119	QFLM1HJ-102Z	M CAPACITOR	1000PF 5% 50V	
	C6123	QCBB1HK-151Y	C CAPACITOR	150PF 10% 50V	
	C6135	QCBB1HK-222Y	C CAPACITOR	2200PF 10% 50V	
	C6141	QFLM1HJ-562Z	M CAPACITOR	5600PF 5% 50V	
	C6201	QETN1HM-106Z	E CAPACITOR	10MF 20% 50V	
	C6203	QETN1HM-106Z	E CAPACITOR	10MF 20% 50V	
	C6204	QETN1HM-106Z	E CAPACITOR	10MF 20% 50V	
	C6205	QTE1H28-225Z	E CAPACITOR		
	C6206	QETN1HM-106Z	E CAPACITOR	10MF 20% 50V	
	C6207	QETN1HM-106Z	E CAPACITOR	10MF 20% 50V	
	C6210	QFLM1HJ-183Z	M CAPACITOR	.018MF 5% 50V	
	C6211	QFLM1HJ-223Z	M CAPACITOR	.022MF 5% 50V	
	C6212	QFVF1HJ-154Z	MF CAPACITOR	.15MF 5% 50V	
	C6213	QFVF1HJ-154Z	MF CAPACITOR	.15MF 5% 50V	
	C6214	QFLM1HJ-562Z	M CAPACITOR	5600PF 5% 50V	
	C6215	QTE1H28-226Z	E CAPACITOR		
	C6216	QFLM1HJ-472Z	M CAPACITOR	4700PF 5% 50V	
	C6217	QFLC1HJ-104Z	M CAPACITOR	.10MF 5% 50V	
	C6218	QFLC1HJ-104Z	M CAPACITOR	.10MF 5% 50V	
	C6219	QFLM1HJ-102Z	M CAPACITOR	1000PF 5% 50V	
	C6223	QCBB1HK-151Y	C CAPACITOR	150PF 10% 50V	
	C6241	QFLM1HJ-562Z	M CAPACITOR	5600PF 5% 50V	
	C6304	QETN1EM-476Z	E CAPACITOR	47MF 20% 25V	
	C6305	QFLM1HJ-223Z	M CAPACITOR	.022MF 5% 50V	
	C6306	QETN1AM-107Z	E CAPACITOR	100MF 20% 10V	
	C6307	QETN1HM-226Z	E CAPACITOR	22MF 20% 50V	
	C6308	QETN1HM-475Z	E CAPACITOR	4.7MF 20% 50V	
	C6309	QETN1HM-106Z	E CAPACITOR	10MF 20% 50V	
	C6310	QETN1CM-107Z	E CAPACITOR	100MF 20% 16V	
	C6311	QCZ0202-155Z	ML C CAPACITOR	1.5MF	
	C6314	QETN1EM-476Z	E CAPACITOR	47MF 20% 25V	
	C6315	QEK1EM-476Z	E CAPACITOR	47MF 20% 25V	
	C9401	QETN1EM-476Z	E CAPACITOR	47MF 20% 25V	
	C9402	QDYB1CM-103Y	C.CAPACITOR		
	C9403	QETN1EM-476Z	E CAPACITOR	47MF 20% 25V	
	C9411	QETN0JM-477Z	E CAPACITOR	470MF 20% 6.3V	
	C9501	QETN1HM-225Z	E CAPACITOR	2.2MF 20% 50V	
	C9502	QETN1HM-475Z	E CAPACITOR	4.7MF 20% 50V	
	C9601	QDYB1CM-103Y	C.CAPACITOR		
	C9602	QETN1EM-476Z	E CAPACITOR	47MF 20% 25V	
	C9604	QDYB1CM-103Y	C.CAPACITOR		
	C9605	QETN1EM-476Z	E CAPACITOR	47MF 20% 25V	
	C9606	QETN1EM-476Z	E CAPACITOR	47MF 20% 25V	
	C9701	QFLC1HJ-104Z	M CAPACITOR	.10MF 5% 50V	
	C9704	QFLC1HJ-104Z	M CAPACITOR	.10MF 5% 50V	
	C9705	QETM1EM-688	E CAPACITOR	6800MF 20% 25V	

■ Electrical parts list(Main board)

Block No. 01

△	Item	Parts number	Parts name	Remarks	Area
	C9708	QDYB1CM-103Y	C.CAPACITOR		
	C9709	QFZ0160-223Z	PP CAPACITOR	.022MF	
	C9801	QFLM1HJ-683Z	M CAPACITOR	.068MF 5% 50V	
	C9804	QFLM1HJ-683Z	M CAPACITOR	.068MF 5% 50V	
	C9805	QETM1VM-228	E.CAPACITOR	2200MF 20% 35V	
	C9901	QETN1AM-107Z	E CAPACITOR	100MF 20% 10V	
	D1001	1SS133-T2	SI DIODE		
	D1301	1SS133-T2	SI DIODE		
	D2001	1SS133-T2	SI DIODE		
	D2301	1SS133-T2	SI DIODE		
	D3001	MTZJ4.3B-T2	ZENER DIODE		
	D3002	1SS133-T2	SI DIODE		
	D3003	MTZJ2.4B-T2	Z.DIODE		
△	D3301	1N5402M-20	DIODE		
△	D3302	1N5402M-20	DIODE		
△	D3303	1N5402M-20	DIODE		
△	D3304	1N5402M-20	DIODE		
	D6306	MTZJ5.1B-T2	ZENER DIODE		
	D6307	1SS133-T2	SI DIODE		
	D6308	MTZJ11A-T2	Z.DIODE		
	D6309	1SS133-T2	SI DIODE		
	D6310	1SS133-T2	SI DIODE		
	D6311	1SS133-T2	SI DIODE		
	D9401	MTZJ6.8C-T2	Z DIODE		
	D9501	1SS133-T2	SI DIODE		
	D9503	MTZJ5.1C-T2	ZENER DIODE		
	D9504	1SS133-T2	SI DIODE		
	D9601	MTZJ10C-T2	Z.DIODE		
	D9602	MTZJ6.2C-T2	Z DIODE		
△	D9701	1N4003S-T5	SI DIODE		
△	D9702	1N4003S-T5	SI DIODE		
△	D9703	1N4003S-T5	SI DIODE		
△	D9704	1N4003S-T5	SI DIODE		
△	D9705	1N4003S-T5	SI DIODE		
△	D9706	1N4003S-T5	SI DIODE		
△	D9707	1N4003S-T5	SI DIODE		
△	D9708	1N4003S-T5	SI DIODE		
△	D9801	1N4003S-T5	SI DIODE		
△	D9802	1N4003S-T5	SI DIODE		
△	D9803	1N4003S-T5	SI DIODE		
△	D9804	1N4003S-T5	SI DIODE		
	D9901	MTZJ4.3B-T2	ZENER DIODE		
△	D9902	1N4003S-T5	SI DIODE		
△	D9903	1N4003S-T5	SI DIODE		
△	D9904	1N4003S-T5	SI DIODE		
	D9905	1SS133-T2	SI DIODE		
	D9910	1N4003S-T5	SI DIODE	+10V	
	EP301	QNZ0136-001Z	EARTH PLATE		
	EP971	QNZ0136-001Z	EARTH PLATE		
△	IC301	STK402-030	IC		
	IC671	TDA7439	IC		
	IC672	NJM4580D	IC		
	IC673	TC4066BP/N/	IC		
	IC674	TC74HC02AP	IC		
	J3001	QNB0010-001	SPK TERMINAL		
	J3101	QNS0072-001	HEADPHONE JACK		
	J3102	QNS0072-001	HEADPHONE JACK		
	J6301	QNN0365-001	PIN JACK		
	J6310	GP1FA550RZ	OPT RECEIVER		
	L1001	QQLZ005-R45	INDUCTOR		
	L2001	QQLZ005-R45	INDUCTOR		
	L6141	QQR0590-001	FILTER		
	L6241	QQR0590-001	FILTER		

△	Item	Parts number	Parts name	Remarks	Area
	L6801	QQL231K-4R7Y	INDUCTOR		
	Q1001	KTA1268/GL-T	TRANSISTOR		
	Q1002	2SC3576-JVC-T	TRANSISTOR		
	Q1101	2SC3576-JVC-T	TRANSISTOR		
	Q1301	2SC2785/FE-T	TRANSISTOR		
	Q2001	KTA1268/GL-T	TRANSISTOR		
	Q2002	2SC3576-JVC-T	TRANSISTOR		
	Q2101	2SC3576-JVC-T	TRANSISTOR		
	Q2301	2SC2785/FE-T	TRANSISTOR		
	Q3001	KTD863/Y-T	TRANSISTOR		
	Q3002	2SK301/PQ/T	TRANSISTOR(FET)		
	Q3003	KRC110M-T	TRANSISTOR		
	Q3004	2SA1175/FE-T	TRANSISTOR		
	Q3005	2SC2785/FE-T	TRANSISTOR		
	Q3010	KRA104M-T	D.TRANSISTOR		
	Q3011	KRC104M-T	D.TRANSISTOR		
	Q3012	KRC102M-T	D.TRANSISTOR		
	Q3201	KRA102M-T	D.TRANSISTOR		
	Q6301	2SC3576-JVC-T	TRANSISTOR		
	Q6302	2SC3576-JVC-T	TRANSISTOR		
	Q6303	KRC104M-T	D.TRANSISTOR		
	Q6304	2SC2785/FE-T	TRANSISTOR		
	Q6305	KTA1273/Y/-T	TRANSISTOR		
	Q6306	KRC104M-T	D.TRANSISTOR		
	Q6307	KRA104M-T	D.TRANSISTOR		
	Q6308	2SC2785/FE-T	TRANSISTOR		
	Q6320	KRA104M-T	D.TRANSISTOR		
	Q6321	KRC107M-T	D.TRANSISTOR		
△	Q9401	2SD1913/RS/	TRANSISTOR		
	Q9501	KRC104M-T	D.TRANSISTOR		
	Q9502	KRC107M-T	D.TRANSISTOR		
	Q9503	KRC104M-T	D.TRANSISTOR		
	Q9601	2SC2785/FE-T	TRANSISTOR		
	Q9602	2SC2785/FE-T	TRANSISTOR		
	Q9603	KRA107M-T	D.TRANSISTOR		
	Q9604	KRC107M-T	D.TRANSISTOR		
	RY301	QSK0057-001	RELAY		
	R1003	QRZ9006-4R7X	F RESISTOR	4.7 1/0W	
	R1006	QRT01DJ-R33X	UNF.MF.RES.	5% 1/1W	
△	R1007	QRT01DJ-R33X	UNF.MF.RES.	5% 1/1W	
	R1009	QRE141J-563Y	C RESISTOR	56K 5% 1/4W	
△	R1010	QRJ146J-4R7X	UNF C.RES	4.7 5% 1/4W	
△	R1011	QRZ9043-4R7X	F.RES.	4.7 1/0W	
	R1013	QRE141J-102Y	C RESISTOR	1.0K 5% 1/4W	
	R1014	QRE141J-183Y	C RESISTOR	18K 5% 1/4W	
	R1015	QRE141J-473Y	C RESISTOR	47K 5% 1/4W	
	R1016	QRE141J-104Y	C RESISTOR	100K 5% 1/4W	
	R1017	QRE141J-273Y	C RESISTOR	27K 5% 1/4W	
	R1018	QRE141J-102Y	C RESISTOR	1.0K 5% 1/4W	
	R1019	QRE141J-152Y	C RESISTOR	1.5K 5% 1/4W	
	R1020	QRE141J-102Y	C RESISTOR	1.0K 5% 1/4W	
△	R1030	QRJ146J-751X	UNF C.RES	750 5% 1/4W	
	R1031	QRE141J-563Y	C RESISTOR	56K 5% 1/4W	
	R1101	QRE141J-103Y	C RESISTOR	10K 5% 1/4W	
	R1102	QRJ146J-681X	UNF C.RESISTOR	680 5% 1/4W	
△	R1103	QRL01DJ-122X	OMF RESISTOR	1.2K 5% 1/1W	
	R1201	QRE141J-221Y	C RESISTOR	220 5% 1/4W	
	R1301	QRE141J-222Y	C RESISTOR	2.2K 5% 1/4W	
	R1302	QRE141J-123Y	C RESISTOR	12K 5% 1/4W	
	R1303	QRE141J-101Y	C RESISTOR	100 5% 1/4W	
	R1304	QRE141J-221Y	C RESISTOR	220 5% 1/4W	
	R1305	QRE141J-622Y	C RESISTOR	6.2K 5% 1/4W	
	R1306	QRE141J-562Y	C RESISTOR	5.6K 5% 1/4W	

■ Electrical parts list(Main board)

Block No. 01

△	Item	Parts number	Parts name	Remarks	Area
	R1308	QRE141J-472Y	C RESISTOR	4.7K 5% 1/4W	
	R1309	QRE141J-272Y	C RESISTOR	2.7K 5% 1/4W	
	R2003	QRZ9006-4R7X	F RESISTOR	4.7 1/0W	
△	R2006	QRT01DJ-R33X	UNF.MF.RES.	5% 1/1W	
△	R2007	QRT01DJ-R33X	UNF.MF.RES.	5% 1/1W	
	R2009	QRE141J-563Y	C RESISTOR	56K 5% 1/4W	
△	R2010	QRJ146J-4R7X	UNF C.RES	4.7 5% 1/4W	
△	R2011	QRZ9043-4R7X	F.RES.	4.7 1/0W	
	R2013	QRE141J-102Y	C RESISTOR	1.0K 5% 1/4W	
	R2014	QRE141J-183Y	C RESISTOR	18K 5% 1/4W	
	R2015	QRE141J-473Y	C RESISTOR	47K 5% 1/4W	
	R2016	QRE141J-823Y	C RESISTOR	82K 5% 1/4W	
	R2017	QRE141J-273Y	C RESISTOR	27K 5% 1/4W	
	R2018	QRE141J-102Y	C RESISTOR	1.0K 5% 1/4W	
	R2019	QRE141J-152Y	C RESISTOR	1.5K 5% 1/4W	
	R2020	QRE141J-102Y	C RESISTOR	1.0K 5% 1/4W	
△	R2030	QRJ146J-751X	UNF C.RES	750 5% 1/4W	
	R2031	QRE141J-563Y	C RESISTOR	56K 5% 1/4W	
	R2101	QRE141J-103Y	C RESISTOR	10K 5% 1/4W	
	R2102	QRJ146J-681X	UNF C.RESISTOR	680 5% 1/4W	
△	R2103	QRL01DJ-122X	OMF RESISTOR	1.2K 5% 1/1W	
	R2201	QRE141J-221Y	C RESISTOR	220 5% 1/4W	
	R2301	QRE141J-222Y	C RESISTOR	2.2K 5% 1/4W	
	R2302	QRE141J-123Y	C RESISTOR	12K 5% 1/4W	
	R2303	QRE141J-101Y	C RESISTOR	100 5% 1/4W	
	R2304	QRE141J-221Y	C RESISTOR	220 5% 1/4W	
	R2305	QRE141J-622Y	C RESISTOR	6.2K 5% 1/4W	
	R2306	QRE141J-562Y	C RESISTOR	5.6K 5% 1/4W	
	R2308	QRE141J-472Y	C RESISTOR	4.7K 5% 1/4W	
△	R2309	QRE141J-272Y	C RESISTOR	2.7K 5% 1/4W	
△	R3001	QRZ9005-101X	F.RESISTOR	100 1/0W	
	R3004	QRE141J-104Y	C RESISTOR	100K 5% 1/4W	
	R3005	QRE141J-152Y	C RESISTOR	1.5K 5% 1/4W	
	R3008	QRE141J-122Y	C RESISTOR	1.2K 5% 1/4W	
	R3009	QRE141J-105Y	C RESISTOR	1.0M 5% 1/4W	
	R3010	QRE141J-475Y	C RESISTOR	4.7M 5% 1/4W	
	R3011	QRE141J-103Y	C RESISTOR	10K 5% 1/4W	
	R3012	QRE141J-103Y	C RESISTOR	10K 5% 1/4W	
	R3013	QRE141J-104Y	C RESISTOR	100K 5% 1/4W	
	R3014	QRE141J-104Y	C RESISTOR	100K 5% 1/4W	
	R3015	QRE141J-473Y	C RESISTOR	47K 5% 1/4W	
	R3016	QRE141J-153Y	C RESISTOR	15K 5% 1/4W	
△	R3035	QRJ146J-101X	UNF C.RES	100 5% 1/4W	
△	R3036	QRJ146J-101X	UNF C.RES	100 5% 1/4W	
	R3037	QRE141J-103Y	C RESISTOR	10K 5% 1/4W	
	R3038	QRE141J-103Y	C RESISTOR	10K 5% 1/4W	
	R3040	QRJ146J-101X	UNF C.RES	100 5% 1/4W	
	R3103	QRE141J-101Y	C RESISTOR	100 5% 1/4W	
	R3201	QRE141J-223Y	C RESISTOR	22K 5% 1/4W	
	R3301	QRE141J-223Y	C RESISTOR	22K 5% 1/4W	
	R3302	QRE141J-223Y	C RESISTOR	22K 5% 1/4W	
	R6105	QRE141J-562Y	C RESISTOR	5.6K 5% 1/4W	
	R6106	QRE141J-272Y	C RESISTOR	2.7K 5% 1/4W	
	R6107	QRE141J-273Y	C RESISTOR	27K 5% 1/4W	
	R6108	QRE141J-273Y	C RESISTOR	27K 5% 1/4W	
	R6109	QRE141J-392Y	C RESISTOR	3.9K 5% 1/4W	
	R6110	QRE141J-102Y	C RESISTOR	1.0K 5% 1/4W	
	R6111	QRE141J-222Y	C RESISTOR	2.2K 5% 1/4W	
	R6112	QRE141J-222Y	C RESISTOR	2.2K 5% 1/4W	
	R6114	QRE141J-104Y	C RESISTOR	100K 5% 1/4W	
	R6118	QRE141J-221Y	C RESISTOR	220 5% 1/4W	
	R6125	QRE141J-113Y	C RESISTOR	11K 5% 1/4W	
	R6127	QRE141J-183Y	C RESISTOR	18K 5% 1/4W	

△	Item	Parts number	Parts name	Remarks	Area
	R6128	QRE141J-222Y	C RESISTOR	2.2K 5% 1/4W	
	R6131	QRE141J-472Y	C RESISTOR	4.7K 5% 1/4W	
	R6132	QRE141J-272Y	C RESISTOR	2.7K 5% 1/4W	
	R6133	QRE141J-682Y	C RESISTOR	6.8K 5% 1/4W	
	R6135	QRE141J-133Y	C RESISTOR	13K 5% 1/4W	
	R6139	QRE141J-513Y	C RESISTOR	51K 5% 1/4W	
	R6205	QRE141J-562Y	C RESISTOR	5.6K 5% 1/4W	
	R6206	QRE141J-272Y	C RESISTOR	2.7K 5% 1/4W	
	R6207	QRE141J-273Y	C RESISTOR	27K 5% 1/4W	
	R6208	QRE141J-273Y	C RESISTOR	27K 5% 1/4W	
	R6209	QRE141J-392Y	C RESISTOR	3.9K 5% 1/4W	
	R6210	QRE141J-102Y	C RESISTOR	1.0K 5% 1/4W	
	R6211	QRE141J-222Y	C RESISTOR	2.2K 5% 1/4W	
	R6212	QRE141J-222Y	C RESISTOR	2.2K 5% 1/4W	
	R6214	QRE141J-104Y	C RESISTOR	100K 5% 1/4W	
	R6218	QRE141J-221Y	C RESISTOR	220 5% 1/4W	
	R6225	QRE141J-113Y	C RESISTOR	11K 5% 1/4W	
	R6227	QRE141J-183Y	C RESISTOR	18K 5% 1/4W	
	R6228	QRE141J-222Y	C RESISTOR	2.2K 5% 1/4W	
	R6231	QRE141J-472Y	C RESISTOR	4.7K 5% 1/4W	
	R6232	QRE141J-272Y	C RESISTOR	2.7K 5% 1/4W	
	R6233	QRE141J-682Y	C RESISTOR	6.8K 5% 1/4W	
	R6235	QRE141J-133Y	C RESISTOR	13K 5% 1/4W	
	R6239	QRE141J-513Y	C RESISTOR	51K 5% 1/4W	
	R6303	QRE141J-103Y	C RESISTOR	10K 5% 1/4W	
	R6304	QRE141J-103Y	C RESISTOR	10K 5% 1/4W	
	R6305	QRE141J-271Y	C RESISTOR	270 5% 1/4W	
	R6306	QRE141J-471Y	C RESISTOR	470 5% 1/4W	
	R6307	QRE141J-473Y	C RESISTOR	47K 5% 1/4W	
△	R6311	QRE141J-103Y	C RESISTOR	10K 5% 1/4W	
△	R6324	QRJ146J-101X	UNF C.RES	100 5% 1/4W	
	R6327	QRE141J-473Y	C RESISTOR	47K 5% 1/4W	
	R6329	QRE141J-224Y	C RESISTOR	220K 5% 1/4W	
	R6332	QRE141J-101Y	C RESISTOR	100 5% 1/4W	
	R6333	QRE141J-101Y	C RESISTOR	100 5% 1/4W	
	R6334	QRE141J-101Y	C RESISTOR	100 5% 1/4W	
	R6337	QRE141J-102Y	C RESISTOR	1.0K 5% 1/4W	
	R6338	QRE141J-102Y	C RESISTOR	1.0K 5% 1/4W	
	R6340	QRE141J-101Y	C RESISTOR	100 5% 1/4W	
	R6341	QRE141J-101Y	C RESISTOR	100 5% 1/4W	
	R6342	QRE141J-101Y	C RESISTOR	100 5% 1/4W	
	R6343	QRE141J-101Y	C RESISTOR	100 5% 1/4W	
	R6344	QRE141J-101Y	C RESISTOR	100 5% 1/4W	
	R6345	QRE141J-101Y	C RESISTOR	100 5% 1/4W	
△	R9401	QRJ146J-100X	UNF.C RESISTOR	10 5% 1/4W	
	R9402	QRE141J-152Y	C RESISTOR	1.5K 5% 1/4W	
	R9404	QRE141J-101Y	C RESISTOR	100 5% 1/4W	
	R9410	QRE141J-101Y	C RESISTOR	100 5% 1/4W	
	R9411	QRE141J-101Y	C RESISTOR	100 5% 1/4W	
	R9412	QRE141J-101Y	C RESISTOR	100 5% 1/4W	
	R9502	QRE141J-103Y	C RESISTOR	10K 5% 1/4W	
	R9503	QRE141J-103Y	C RESISTOR	10K 5% 1/4W	
	R9504	QRE141J-104Y	C RESISTOR	100K 5% 1/4W	
△	R9601	QRZ9005-470X	F.RESISTOR	47 1/0W	
	R9602	QRE141J-102Y	C RESISTOR	1.0K 5% 1/4W	
△	R9603	QRJ146J-221X	UNF C.RESISTOR	220 5% 1/4W	
	R9604	QRE141J-272Y	C RESISTOR	2.7K 5% 1/4W	
	R9605	QRE141J-102Y	C RESISTOR	1.0K 5% 1/4W	
	R9606	QRE141J-103Y	C RESISTOR	10K 5% 1/4W	
	R9703	QRE141J-223Y	C RESISTOR	22K 5% 1/4W	
	R9801	QRE141J-223Y	C RESISTOR	22K 5% 1/4W	
	R9901	QRE141J-683Y	C RESISTOR	68K 5% 1/4W	
	R9902	QRE141J-153Y	C RESISTOR	15K 5% 1/4W	

■ Electrical parts list(Main board)

Block No. 01

△	Item	Parts number	Parts name	Remarks	Area
	R9903	QRE141J-683Y	C RESISTOR	68K 5% 1/4W	
	R9904	QRE141J-243Y	C RESISTOR	24K 5% 1/4W	
	R9905	QRE141J-683Y	C RESISTOR	68K 5% 1/4W	
	R9906	QRE141J-363Y	C RESISTOR	36K 5% 1/4W	
	R9910	QRJ146J-392X	UNF C.RESISTOR	3.9K 5% 1/4W	
	W 121	WJK0016-003A	E-SI C WIRE C-B		
	W 122	WJK0016-004A	E-SI C WIRE C-B	FOR RDS	
	W 301	WJK0015-004A	E-SI C WIRE C-B		
	W 302	QUM025-15Z3Z3	PARA RIBON WIRE		
	W 601	QJP001-031201	SHI CR C-B WIRE		
	W 912	QUM026-24Z3Z3	PARA RIBON WIRE		

■ Electrical parts list(Micon board)

Block No. 02

△	Item	Parts number	Parts name	Remarks	Area
	CN391	QGB2510K2-04	CONNECTOR		
	CN392	QGB1214K1-18S	CONNECTOR		
	CN393	QGB1214K1-18S	CONNECTOR		
	CN701	QGB2011L1-14	B TO B CONNECTO		
	CN791	QGB2011M4-14	CONNECTOR		
	CN801	QGF1210G1-23	FFC CONNECTOR		
	CN851	QGF1005F2-28	FFC/FPC CONNE		
	CN891	QGF1205F1-23	CONNECTOR		
	CN924	QGB2510K2-09	CONNECTOR		
	CN991	QGA2501F1-03	CONNECTOR		
	C7011	QER41AM-107	E CAPACITOR	100MF 20% 10V	
	C7012	NCB21HK-102X	C CAPACITOR		
	C8001	QCZ0202-155Z	ML C CAP	1.5MF	
	C8002	NCS21HJ-330X	C CAPACITOR		
	C8003	NCS21HJ-180X	C CAPACITOR		
	C8004	NCB21HK-103X	C CAPACITOR		
	C8005	NCB21HK-103X	C CAPACITOR		
	C8006	NCB21HK-103X	C CAPACITOR		
	C8007	NCS21HJ-220X	C CAPACITOR		
	C8008	NCS21HJ-220X	C CAPACITOR		
	C8017	NCB21HK-102X	C CAPACITOR		
	C8018	NCB21HK-102X	C CAPACITOR		
	C8020	QETN1AM-107Z	E CAPACITOR	100MF 20% 10V	
	C8021	QETN0JM-108Z	E CAPACITOR	1000MF 20% 6.3V	
	C8023	QETN1AM-107Z	E CAPACITOR	100MF 20% 10V	
	C8030	NCB21HK-103X	C CAPACITOR		
	C8031	NCB21HK-103X	C CAPACITOR		
	C8111	NCB21HK-102X	C CAPACITOR		
	C8201	NCB21HK-103X	C CAPACITOR		
	C8202	NCB21HK-103X	C CAPACITOR		
	C8211	NCB21HK-102X	C CAPACITOR		
	C8301	NCF21AZ-475X	C CAPACITOR		
	C8302	NCF21AZ-475X	C CAPACITOR		
	C8303	NCF21AZ-475X	C CAPACITOR		
	C8304	NCF21AZ-475X	C CAPACITOR		
	C8305	NCB21CK-105X	C CAPACITOR		
	C8306	NCB21CK-105X	C CAPACITOR		
	C8307	NCB21CK-105X	C CAPACITOR		
	C8308	NCB21CK-105X	C CAPACITOR		
	C8309	NCB21CK-105X	C CAPACITOR		
	C8311	NCB21HK-223X	C CAPACITOR		
	C8401	QETN1HM-105Z	E CAPACITOR	1.0MF 20% 50V	
	C8402	QETN1HM-105Z	E CAPACITOR	1.0MF 20% 50V	
	C8403	QETN1HM-105Z	E CAPACITOR	1.0MF 20% 50V	
	C8501	QCZ0202-155Z	ML C CAPACITOR	1.5MF	
	C8502	NCS21HJ-330X	C CAPACITOR		
	C8503	NCS21HJ-330X	C CAPACITOR		
	C8504	NCB21HK-103X	C CAPACITOR		
	C8505	NCB21HK-102X	C CAPACITOR		
	C8506	QEK1AM-107Z	E.CAPACITOR	100MF 20% 10V	
	C8510	QEK1AM-107Z	E.CAPACITOR	100MF 20% 10V	
△	C9001	QCZ9105-472	C.CAPACITOR	4700PF	
	C9002	QETB1EM-108	E CAPACITOR	1000MF 20% 25V	
	C9003	QETN1AM-107Z	E CAPACITOR	100MF 20% 10V	
	C9101	QDVB1EZ-103Y	C CAPACITOR		
	C9102	QETN1AM-107Z	E CAPACITOR	100MF 20% 10V	
	C9103	QETN1CM-476Z	E CAPACITOR	47MF 20% 16V	
	C9111	QDVB1EZ-103Y	C CAPACITOR		
	C9112	QETN1AM-107Z	E CAPACITOR	100MF 20% 10V	
	C9201	QDVB1EZ-103Y	C CAPACITOR		
	C9202	QETN1CM-107Z	E CAPACITOR	100MF 20% 16V	
	C9301	QDVB1EZ-103Y	C CAPACITOR		
	C9302	QETN1CM-476Z	E CAPACITOR	47MF 20% 16V	

△	Item	Parts number	Parts name	Remarks	Area
	D7001	SLR-342VC-T	LED		
	D8002	1SS355-X	DIODE		
	D8003	1SS355-X	DIODE		
	D8007	1SS355-X	DIODE		
	D8008	1SS355-X	DIODE		
	D8009	1SS355-X	DIODE		
	D8010	1SS355-X	DIODE		
	D8011	1SS355-X	DIODE		
	D8401	NSTM515AS	LED	FULL COLOR	
	D8403	MA3075/H/-X	ZENER DIODE		
	D8404	MA3075/H/-X	ZENER DIODE		
	D8409	NSTM515AS	LED	FULL COLOR	
	D8411	MA3075/H/-X	ZENER DIODE		
	D8412	MA3075/H/-X	ZENER DIODE		
	D8413	1SS355-X	DIODE		
	D8414	1SS355-X	DIODE		
	D8417	1SS355-X	DIODE		
	D8418	1SS355-X	DIODE		
	D8501	1SS355-X	DIODE		
	D8502	1SS355-X	DIODE		
	D8503	1SS355-X	DIODE		
	D8504	1SS355-X	DIODE		
	D8601	SLA-360LT3F	LED	STBY RED	
	D8602	SLA-360MT3F	LED	P-ON GREEN	
	D9001	1N4003S-T5	SI DIODE		
	D9003	1SS133-T2	SI DIODE		
	D9004	1SS133-T2	SI DIODE		
	D9005	MTZJ5.6A-T2	ZENER DIODE		
	D9006	1SS133-T2	SI DIODE		
	D9101	MTZJ6.8B-T2	NER DIODE		
	D9111	MTZJ6.2C-T2	Z DIODE		
	D9112	MTZJ7.5C-T2	ZENER DIODE		
	D9201	MTZJ11B-T2	ZENER DIODE		
	D9301	MTZJ13B-T2	Z DIODE		
△	FT911	QNG0003-001Z	FUSE CLIP	FOR F9001	
△	FT912	QNG0003-001Z	FUSE CLIP	FOR F9001	
△	FT921	QNG0003-001Z	FUSE CLIP	FOR F9002	
△	FT922	QNG0003-001Z	FUSE CLIP	FOR F9002	
△	FT991	QNG0003-001Z	FUSE CLIP	FOR F9009	
△	FT992	QNG0003-001Z	FUSE CLIP	FOR F9009	
	IC701	GP1U261X	IR DETECT UNIT		
	IC801	MN101C12GDX1	IC		
	IC851	MN101C12GDW	IC		
	JS821	QSW0862-001	ROTALY SW		
	LS701	QSW0828-001	LEVER SWITCH		
	Q7001	DTC114EKA-X	TRANSISTOR		
	Q8001	DTC114EKA-X	TR		
	Q8002	DTA144EKA-X	TRANSISTOR		
	Q8410	2SC2412K/RS/-X	CHIP TRANSISTOR		
	Q8411	2SC2412K/RS/-X	CHIP TRANSISTOR		
	Q8412	2SC2412K/RS/-X	CHIP TRANSISTOR		
	Q8416	2SC2412K/RS/-X	CHIP TRANSISTOR		
	Q8417	2SC2412K/RS/-X	CHIP TRANSISTOR		
	Q8418	2SC2412K/RS/-X	CHIP TRANSISTOR		
	Q8419	2SC2412K/RS/-X	CHIP TRANSISTOR		
	Q8420	2SC2412K/RS/-X	CHIP TRANSISTOR		
	Q8421	2SC2412K/RS/-X	CHIP TRANSISTOR		
	Q8601	DTC114EKA-X	TRANSISTOR		
	Q8602	DTC114EKA-X	TRANSISTOR		
	Q9003	KTA1046/Y/	TRANSISTOR		
	Q9004	2SC2785/FE/-T	TRANSISTOR		
	Q9005	2SC2785/FE/-T	TRANSISTOR		
	Q9006	2SC2785/FE/-T	TRANSISTOR		

■ Electrical parts list(Micon board)

Block No. 02

△	Item	Parts number	Parts name	Remarks	Area
△	Q9101	2SD2394/EF/	TRANSISTOR		
△	Q9111	2SD2394/EF/	TRANSISTOR		
△	Q9201	2SD2394/EF/	TRANSISTOR		
△	Q9301	2SD2394/EF/	TRANSISTOR		
△	RY901	QSK0094-001	RELAY		
	R7001	NRSA02J-102X	MG RESISTOR		
	R7002	NRSA02J-102X	MG RESISTOR		
	R7003	NRSA02J-122X	MG RESISTOR		
	R7004	NRSA02J-152X	MG RESISTOR		
	R7005	NRSA02J-222X	MG RESISTOR		
	R7006	NRSA02J-272X	MG RESISTOR		
	R7007	NRSA02J-392X	MG RESISTOR		
	R7010	NRS181J-221X	MG RESISTOR		
	R7020	NRSA02J-102X	MG RESISTOR		
	R7101	NRSA02J-102X	MG RESISTOR		
	R7102	NRSA02J-102X	MG RESISTOR		
	R7103	NRSA02J-122X	MG RESISTOR		
	R7104	NRSA02J-152X	MG RESISTOR		
	R7105	NRSA02J-222X	MG RESISTOR		
	R7106	NRSA02J-272X	MG RESISTOR		
	R8001	NRSA02J-222X	MG RESISTOR		
	R8002	NRSA02J-222X	MG RESISTOR		
	R8003	NRSA02J-222X	MG RESISTOR		
	R8004	NRSA02J-222X	MG RESISTOR		
	R8005	NRSA02J-102X	MG RESISTOR		
	R8006	NRSA02J-102X	MG RESISTOR		
	R8007	NRSA02J-102X	MG RESISTOR		
	R8008	NRSA02J-105X	MG RESISTOR		
	R8011	NRSA02J-102X	MG RESISTOR		
	R8012	NRSA02J-102X	MG RESISTOR		
	R8013	NRSA02J-102X	MG RESISTOR		
	R8014	NRSA02J-102X	MG RESISTOR		
	R8015	NRSA02J-222X	MG RESISTOR		
	R8016	NRSA02J-102X	MG RESISTOR		
	R8017	NRSA02J-101X	MG RESISTOR		
	R8018	NRSA02J-102X	MG RESISTOR		
	R8019	NRSA02J-101X	MG RESISTOR		
	R8020	NRSA02J-102X	MG RESISTOR		
	R8021	NRSA02J-102X	MG RESISTOR		
	R8022	NRSA02J-102X	MG RESISTOR		
	R8023	NRSA02J-102X	MG RESISTOR		
	R8024	NRSA02J-222X	MG RESISTOR		
	R8025	NRSA02J-102X	MG RESISTOR		
	R8026	NRSA02J-102X	MG RESISTOR		
	R8027	NRSA02J-101X	MG RESISTOR		
	R8028	NRSA02J-101X	MG RESISTOR		
	R8029	NRSA02J-101X	MG RESISTOR		
	R8030	NRSA02J-101X	MG RESISTOR		
	R8031	NRSA02J-101X	MG RESISTOR		
	R8032	NRSA02J-101X	MG RESISTOR		
	R8033	NRSA02J-102X	MG RESISTOR		
	R8034	NRSA02J-102X	MG RESISTOR		
	R8035	NRSA02J-222X	MG RESISTOR		
	R8036	NRSA02J-222X	MG RESISTOR		
	R8037	NRSA02J-222X	MG RESISTOR		
	R8038	NRSA02J-222X	MG RESISTOR		
	R8039	NRSA02J-222X	MG RESISTOR		
	R8040	NRSA02J-222X	MG RESISTOR		
	R8041	NRSA02J-222X	MG RESISTOR		
	R8042	NRSA02J-222X	MG RESISTOR		
	R8043	NRSA02J-222X	MG RESISTOR		
	R8044	NRSA02J-222X	MG RESISTOR		
	R8045	NRSA02J-222X	MG RESISTOR		

△	Item	Parts number	Parts name	Remarks	Area
	R8047	NRSA02J-222X	MG RESISTOR		
	R8048	NRSA02J-102X	MG RESISTOR		
	R8049	NRSA02J-102X	MG RESISTOR		
	R8050	NRSA02J-102X	MG RESISTOR		
	R8051	NRSA02J-222X	MG RESISTOR		
	R8052	NRSA02J-473X	MG RESISTOR		
	R8053	NRSA02J-222X	MG RESISTOR		
	R8054	NRSA02J-102X	MG RESISTOR		
	R8055	NRSA02J-102X	MG RESISTOR		
	R8056	NRSA02J-102X	MG RESISTOR		
	R8057	NRSA02J-102X	MG RESISTOR		
	R8058	NRSA02J-102X	MG RESISTOR		
	R8059	NRSA02J-102X	MG RESISTOR		
	R8060	NRSA02J-103X	MG RESISTOR		
	R8062	NRSA02J-102X	MG RESISTOR		
	R8063	NRSA02J-103X	MG RESISTOR		
	R8064	NRSA02J-223X	MG RESISTOR		
	R8065	NRSA02J-223X	MG RESISTOR		
	R8066	NRSA02J-223X	MG RESISTOR		
	R8067	NRSA02J-223X	MG RESISTOR		
	R8068	NRSA02J-223X	MG RESISTOR		
	R8070	NRSA02J-113X	MG RESISTOR		
	R8071	NRSA02J-103X	MG RESISTOR		
	R8072	NRSA02J-103X	MG RESISTOR		
	R8077	NRSA02J-222X	MG RESISTOR		
	R8078	NRSA02J-103X	MG RESISTOR		
	R8080	NRS181J-470X	MG RESISTOR		
	R8082	NRSA02J-221X	MG RESISTOR		
	R8083	NRSA02J-103X	MG RESISTOR		
	R8090	NRSA02J-473X	MG RESISTOR		
	R8094	NRSA02J-103X	MG RESISTOR		
	R8101	NRSA02J-102X	MG RESISTOR		
	R8102	NRSA02J-102X	MG RESISTOR		
	R8103	NRSA02J-122X	MG RESISTOR		
	R8104	NRSA02J-152X	MG RESISTOR		
	R8105	NRSA02J-222X	MG RESISTOR		
	R8106	NRSA02J-272X	MG RESISTOR		
	R8111	NRSA02J-103X	MG RESISTOR		
	R8112	NRSA02J-222X	MG RESISTOR		
	R8201	NRSA02J-102X	MG RESISTOR		
	R8202	NRSA02J-102X	MG RESISTOR		
	R8203	NRSA02J-103X	MG RESISTOR		
	R8204	NRSA02J-103X	MG RESISTOR		
	R8211	NRSA02J-103X	MG RESISTOR		
	R8212	NRSA02J-222X	MG RESISTOR		
	R8301	NRSA02J-364X	MG RESISTOR		
	R8302	QVP0079-224Z	V.RESISTOR		
	R8303	NRSA02J-624X	MG RESISTOR		
	R8305	NRSA02J-304X	MG RESISTOR		
	R8306	NRSA02J-304X	MG RESISTOR		
	R8307	NRSA02J-304X	MG RESISTOR		
	R8308	NRSA02J-304X	MG RESISTOR		
	R8310	QRE141J-101Y	C RESISTOR	100 5% 1/4W	
	R8411	NRS181J-221X	MG RESISTOR	RED	
	R8412	NRS181J-221X	MG RESISTOR	RED	
	R8413	NRS181J-221X	MG RESISTOR	RED	
	R8416	NRS181J-271X	MG RESISTOR	BLUE	
	R8417	NRS181J-271X	MG RESISTOR	BLUE	
	R8419	NRS181J-271X	MG RESISTOR	GREEN	
	R8420	NRS181J-271X	MG RESISTOR	GREEN	
	R8433	NRS181J-221X	MG RESISTOR	RED	
	R8434	NRS181J-221X	MG RESISTOR	RED	
	R8435	NRS181J-221X	MG RESISTOR	RED	

■ Electrical parts list(Micon board)

Block No. 02

△	Item	Parts number	Parts name	Remarks	Area
	R8438	NRS181J-271X	MG RESISTOR	BLUE	
	R8439	NRS181J-271X	MG RESISTOR	BLUE	
	R8441	NRS181J-271X	MG RESISTOR	GREEN	
	R8442	NRS181J-271X	MG RESISTOR	GREEN	
	R8444	NRSA02J-102X	MG RESISTOR		
	R8445	NRSA02J-102X	MG RESISTOR		
	R8446	NRSA02J-102X	MG RESISTOR		
	R8447	NRSA02J-103X	MG RESISTOR		
	R8448	NRSA02J-103X	MG RESISTOR		
	R8449	NRSA02J-103X	MG RESISTOR		
	R8450	NRS181J-222X	MG RESISTOR		
	R8451	NRS181J-222X	MG RESISTOR		
	R8452	NRS181J-222X	MG RESISTOR		
	R8453	NRS181J-222X	MG RESISTOR		
	R8454	NRS181J-222X	MG RESISTOR		
	R8455	NRS181J-222X	MG RESISTOR		
	R8501	NRSA02J-105X	MG RESISTOR		
	R8502	NRSA02J-101X	MG RESISTOR		
	R8503	NRSA02J-101X	MG RESISTOR		
	R8504	NRSA02J-222X	MG RESISTOR		
	R8505	NRSA02J-222X	MG RESISTOR		
	R8506	NRSA02J-103X	MG RESISTOR		
	R8507	NRSA02J-101X	MG RESISTOR		
	R8508	NRSA02J-102X	MG RESISTOR		
	R8509	NRSA02J-222X	MG RESISTOR		
	R8510	NRSA02J-101X	MG RESISTOR		
	R8511	NRSA02J-101X	MG RESISTOR		
	R8512	NRSA02J-101X	MG RESISTOR		
	R8513	NRSA02J-101X	MG RESISTOR		
	R8514	NRSA02J-101X	MG RESISTOR		
	R8515	NRSA02J-101X	MG RESISTOR		
	R8516	NRSA02J-101X	MG RESISTOR		
	R8518	NRSA02J-101X	MG RESISTOR		
	R8519	NRSA02J-101X	MG RESISTOR		
	R8520	NRSA02J-101X	MG RESISTOR		
	R8521	NRSA02J-101X	MG RESISTOR		
	R8522	NRSA02J-101X	MG RESISTOR		
	R8523	NRSA02J-101X	MG RESISTOR		
	R8524	NRSA02J-101X	MG RESISTOR		
	R8525	NRSA02J-101X	MG RESISTOR		
	R8526	NRSA02J-222X	MG RESISTOR		
	R8527	NRSA02J-222X	MG RESISTOR		
	R8528	NRSA02J-222X	MG RESISTOR		
	R8601	NRSA02J-331X	MG RESISTOR		
	R8602	NRSA02J-121X	MG RESISTOR		
	R9004	QRE141J-103Y	C RESISTOR	10K 5% 1/4W	
	R9005	QRE141J-102Y	C RESISTOR	1.0K 5% 1/4W	
	R9007	QRE141J-102Y	C RESISTOR	1.0K 5% 1/4W	
	R9008	QRE141J-332Y	C RESISTOR	3.3K 5% 1/4W	
	R9009	QRE141J-102Y	C RESISTOR	1.0K 5% 1/4W	
	R9101	QRE141J-271Y	C RESISTOR	270 5% 1/4W	
	R9104	QRE141J-271Y	C RESISTOR	270 5% 1/4W	
△	R9106	QRJ146J-1R0X	UNF C.RESISTOR	1.0 5% 1/4W	
	R9107	QRJ146J-1R0X	UNF C.RESISTOR	1.0 5% 1/4W	
	R9112	QRE141J-271Y	C RESISTOR	270 5% 1/4W	
	R9114	QRE141J-271Y	C RESISTOR	270 5% 1/4W	
△	R9116	QRJ146J-1R0X	UNF C.RES	1.0 5% 1/4W	
	R9201	QRE141J-221Y	C RESISTOR	220 5% 1/4W	
	R9205	QRE141J-221Y	C RESISTOR	220 5% 1/4W	
△	R9206	QRJ146J-1R0X	UNF C.RESISTOR	1.0 5% 1/4W	
△	R9301	QRJ146J-4R7X	UNF C.RESISTOR	4.7 5% 1/4W	
	R9302	QRE141J-471Y	C RESISTOR	470 5% 1/4W	
	R9305	QRE141J-471Y	C RESISTOR	470 5% 1/4W	

△	Item	Parts number	Parts name	Remarks	Area
	S7001	QSW0651-001Z	TACT SWITCH	CANCEL	
	S7002	QSW0651-001Z	TACT SWITCH	ENTER	
	S7003	QSW0651-001Z	TACT SWITCH	TITLE/EDIT	
	S7004	QSW0651-001Z	TACT SWITCH	HIGH SPEED	
	S7005	QSW0651-001Z	TACT SWITCH	REC PAUSE	
	S7006	QSW0651-001Z	TACT SWITCH	LONG MODE	
	S7007	QSW0651-001Z	TACT SWITCH	REC MODE	
	S7101	QSW0651-001Z	TACT SWITCH	MD EJECT	
	S7102	QSW0651-001Z	TACT SWITCH	STOP	
	S7103	QSW0651-001Z	TACT SWITCH	CD PLAY	
	S7104	QSW0651-001Z	TACT SWITCH	MD PLAY	
	S7105	QSW0651-001Z	TACT SWITCH	TUNER	
	S7106	QSW0651-001Z	TACT SWITCH	LINE	
	S8101	QSW0651-001Z	TACT SWITCH	DISC	
	S8102	QSW0651-001Z	TACT SWITCH	CD1 EJECT	
	S8103	QSW0651-001Z	TACT SWITCH	CD2 EJECT	
	S8104	QSW0651-001Z	TACT SWITCH	CD3 EJECT	
	S8105	QSW0651-001Z	TACT SWITCH	MENU	
	S8106	QSW0651-001Z	TACT SWITCH	POWER	
△	TB901	QNZ0079-001Z	TAB		
△	TB902	QNZ0079-001Z	TAB		
△	T9002	QQT0253-002	POWER TRANS		
	W 693	QJB001-021602	C-B WIRE ASSY		
	W 921	QJK026-081803	SIN CR C-B WIRE		
	X8001	QAX0494-001Z	RESONATOR I.M		
	X8002	QAX0401-001	CRYSTAL		
	X8501	QAX0416-001Z	CERA LOCK		

■ Electrical parts list(Tuner board)

Block No. 03

△	Item	Parts number	Parts name	Remarks	Area
	AT101	QNB0014-001	ANT TERMINAL		
	C 101	NCB21HK-103X	C CAPACITOR	C/M B	
	C 111	NCB21HK-473X	C CAPACITOR	C/M B	
	C 112	NDC21HJ-120X	C CAPACITOR	C/M B	
	C 113	QCSB1HJ-120Y	C CAPACITOR	12PF 5% 50V	
	C 121	NDC21HJ-120X	C CAPACITOR	C/M B	
	C 122	NDC21HJ-120X	C CAPACITOR	C/M B	
	C 123	NCB21HK-473X	C CAPACITOR	C/M B	
	C 126	NCS21HJ-101X	C CAPACITOR	C/M B	
	C 128	QENC1HM-474Z	NP E.CAPA	.47MF 20% 50V	
	C 129	NCB21HK-102X	C CAPACITOR	C/M B	
	C 130	QEKC1AM-107Z	E.CAPACITOR	100MF 20% 10V	
	C 136	QEKC1HM-105Z	E.CAPACITOR	1.0MF 20% 50V	
	C 137	NCS21HJ-680X	C CAPACITOR	C/M B	
	C 139	NCB21HK-393X	C CAPACITOR	C/M B	
	C 140	NCB21HK-393X	C CAPACITOR	C/M B	
	C 141	NCB21HK-473X	C CAPACITOR	C/M B	
	C 143	NCB21HK-223X	C CAPACITOR	C/M B	
	C 144	NCB21HK-473X	C CAPACITOR	C/M B	
	C 146	QEKC1HM-105Z	E.CAPACITOR	1.0MF 20% 50V	
	C 147	QEKC1HM-105Z	E.CAPACITOR	1.0MF 20% 50V	
	C 148	QEKC1HM-224Z	E CAPACITOR	.22MF 20% 50V	
	C 149	QEKC1HM-105Z	E.CAPACITOR	1.0MF 20% 50V	
	C 150	QEKC1CM-226Z	E CAPACITOR	22MF 20% 16V	
	C 156	QDGB1HK-102Y	C CAPACITOR		
	C 157	NCB21HK-473X	C CAPACITOR	C/M B	
	C 158	QEKC1CM-226Z	E CAPACITOR	22MF 20% 16V	
	C 161	QEK41CM-106	E CAPACITOR	10MF 20% 16V	
	C 162	QEK41CM-106	E CAPACITOR	10MF 20% 16V	
	C 163	NCB21HK-223X	C CAPACITOR	C/M B	
	C 164	NCB21HK-473X	C CAPACITOR	C/M B	
	C 168	QEKC1HM-105Z	E.CAPACITOR	1.0MF 20% 50V	
	C 184	QEKC1CM-107Z	E.CAPACITOR	100MF 20% 16V	
	C 185	QEK41CM-106	E CAPACITOR	10MF 20% 16V	
	C 186	QEK41CM-106	E CAPACITOR	10MF 20% 16V	
	C 191	NCS21HJ-820X	C CAPACITOR	C/M B	
	C 192	NCS21HJ-470X	C CAPACITOR	C/M B	
	C 193	NCB21HK-561X	C CAPACITOR	C/M B	
	C 194	NCB21HK-104X	C CAPACITOR	C/M B	
	C 195	NCB21HK-331X	C.CAPA. C.M	C/M B	
	C 196	QEKC1HM-225Z	E CAPACITOR	2.2MF 20% 50V	
	C 197	NCB21HK-473X	C CAPACITOR	C/M B	
	C 199	QEK41CM-106	E CAPACITOR	10MF 20% 16V	
	CF101	QAX0285-001Z	C.FILTER		
	CF102	QAX0285-001Z	C.FILTER		
	CF103	QAX0519-001Z	C FILTER		
	CN111	QGB2501K2-12	CONNECTOR		
	CN112	QGB2501K1-04	CONNECTOR		
	D 121	1SS133-T2	SI DIODE		
	D 123	1SS133-T2	SI DIODE		
	D 129	1SS133-T2	SI DIODE		
	D 131	1SS133-T2	SI DIODE		
	IC102	LA1838	IC		
	IC121	LC72136N	IC		
	IC191	SAA6588	IC(RDS)		
	L 112	QLL231K-2R7Y	INDUCTOR		
	Q 102	2SC535/BC/-T	TRANSISTOR		
	Q 103	2SC461/BC/-T	TRANSISTOR		
	Q 111	KTC3199/GL/-T	TRANSISTOR		
	Q 112	KTC3199/GL/-T	TRANSISTOR		
	Q 113	DTA114YKA-X	TRANSISTOR	C/M B	
	Q 121	KRA103M-T	TRANSISTOR		
	R 103	NRSA02J-101X	MG RESISTOR	C/M B	

△	Item	Parts number	Parts name	Remarks	Area
	R 104	NRSA02J-272X	MG RESISTOR	C/M B	
	R 105	NRSA02J-391X	MG RESISTOR	C/M B	
	R 106	NRSA02J-102X	MG RESISTOR	C/M B	
	R 107	NRSA02J-561X	MG RESISTOR	C/M B	
	R 108	NRSA02J-332X	MG RESISTOR	C/M B	
	R 109	NRSA02J-221X	MG RESISTOR	C/M B	
	R 111	NRSA02J-472X	MG RESISTOR	C/M B	
	R 112	QRE141J-472Y	C RESISTOR	4.7K 5% 1/4W	
	R 114	NRSA02J-122X	MG RESISTOR	C/M B	
	R 115	NRSA02J-104X	MG RESISTOR	C/M B	
	R 119	NRSA02J-103X	MG RESISTOR	C/M B	
	R 122	NRSA02J-472X	MG RESISTOR	C/M B	
	R 124	NRSA02J-222X	MG RESISTOR	C/M B	
	R 126	NRSA02J-562X	MG RESISTOR	C/M B	
	R 127	NRSA02J-822X	MG RESISTOR	C/M B	
	R 128	NRSA02J-472X	MG RESISTOR	C/M B	
	R 129	NRSA02J-222X	MG RESISTOR	C/M B	
	R 130	QRZ9005-680X	F.RES	68 1/0W	
	R 132	NRSA02J-393X	MG RESISTOR	C/M B	
	R 133	NRSA02J-392X	MG RESISTOR		
	R 134	NRSA02J-102X	MG RESISTOR	C/M B	
	R 140	NRSA02J-563X	MG RESISTOR	C/M B	
	R 182	NRSA02J-103X	MG RESISTOR	C/M B	
	R 183	NRSA02J-103X	MG RESISTOR	C/M B	
	R 184	NRSA02J-103X	MG RESISTOR	C/M B	
	R 191	NRSA02J-102X	MG RESISTOR	C/M B	
	R 192	NRSA02J-474X	MG RESISTOR	C/M B	
	R 193	NRSA02J-103X	MG RESISTOR	C/M B	
	R 194	NRSA02J-103X	MG RESISTOR	C/M B	
	RF101	QAU0119-001	FRONT END	FOR FTZ	
	T 111	QQR0871-001	COIL BLOCK		
	T 142	QQR0973-001	IFT		
	X 121	QAX0402-001	CRYSTAL		
	X 191	QAX0263-001Z	CRYSTAL		



■ Electrical parts list(Servo board)

Block No. 04

△	Item	Parts number	Parts name	Remarks	Area	△	Item	Parts number	Parts name	Remarks	Area
	C 250	NCB21EK-104X	C CAPACITOR				C 811	NCS31HJ-391X	C CAPACITOR		
	C 253	NCB21EK-104X	C CAPACITOR				C 812	NCS21HJ-391X	C CAPACITOR		
	C 254	QERF0JM-476Z	E CAPACITOR	47MF 20% 6.3V			C 813	NCS21HJ-391X	C CAPACITOR		
	C 270	NCB21CK-105X	C CAPACITOR				C 814	NCS21HJ-391X	C CAPACITOR		
	C 271	NCB21CK-105X	C CAPACITOR				C 815	NCB21AK-105X	C CAPACITOR		
	C 272	NCB21CK-105X	C CAPACITOR				C 816	NCB21AK-225X	C.CAPA. C.M		
	C 291	QER41CM-476	E CAPACITOR	47MF 20% 16V			C 821	NCF21CZ-105X	C CAPACITOR		
	C 601	NCB21HK-102X	C CAPACITOR				C 822	QER41AM-227	E CAPACITOR	220MF 20% 10V	
	C 602	NCB21HK-102X	C CAPACITOR				C 851	QER41CM-106	E CAPACITOR	10MF 20% 16V	
	C 603	NCB21HK-223X	C CAPACITOR				C 852	NCB21HK-103X	C CAPACITOR		
	C 604	NCB21HK-223X	C CAPACITOR				C 853	NCB21HK-103X	C CAPACITOR		
	C 605	NCS21HJ-271X	C CAPACITOR				C 855	NCB21EK-104X	C CAPACITOR		
	C 606	NCS21HJ-221X	C CAPACITOR				C 859	NCF21CZ-105X	C CAPACITOR		
	C 607	NCB21HK-104X	C CAPACITOR				C 860	NCF21CZ-105X	C CAPACITOR		
	C 608	NCS21HJ-4R0X	C CAPACITOR				CN601	QGF1016C1-21	CONNECTOR	TRAVERSE	
	C 610	NCB21EK-563X	C CAPACITOR				CN606	QGF1016F3-07	FFC/FPC CONNE	4T I/F	
	C 611	NCB21CK-105X	C CAPACITOR				CN610	QGB1214J1-08S	CONNECTOR	TO SW CB(CN620)	
	C 612	QER41HM-105	E CAPACITOR	1.0MF 20% 50V			CN611	QGF1016F3-08	CONNECTOR	FOR JIG	
	C 613	NCB21AK-105X	C CAPACITOR				CN620	QGB1214K1-08S	CONNECTOR	TO CN610	
	C 614	NCB21HK-273X	C CAPACITOR				CN651	QGF1016F3-19	CONNECTOR	MAIN	
	C 615	NCB31HK-821X	C CAPACITOR				D 291	1SS355-X	DIODE		
	C 616	NCB31HK-272X	C CAPACITOR				D 667	MA152WA-X	DIODE		
	C 617	NCB31HK-331X	C CAPACITOR				D 673	DA204U-X	DIODE		
	C 619	NCS21HJ-330X	C CAPACITOR				D 852	UDZS5.6B-X	Z DIODE	VZ	
	C 621	NCB21EK-104X	C CAPACITOR				IC201	BR24C01AFV-W-X	IC	E2PROM	
	C 622	QER41AM-107	E CAPACITOR	100MF 20% 10V			IC251	UPD780024AGKB08	IC		
	C 623	NCF21CZ-105X	C CAPACITOR				IC601	AN8849SB-W	IC	RF AMP	
	C 624	QER41AM-107	E CAPACITOR	100MF 20% 10V			IC602	UPC393G2-W	IC	TE VDET	
	C 625	NCB31CK-104X	C CAPACITOR				IC603	TC7S32F-X	IC	TE VDET	
	C 631	QER41CM-106	E CAPACITOR	10MF 20% 16V			IC651	MN662748RPM	IC	DSP & DAC	
	C 632	NCF21CZ-105X	C CAPACITOR				IC652	NJM4580E-W	IC		
	C 633	NCB21HK-223X	C CAPACITOR				IC801	LA6541-X	IC	PU DRIVE	
	C 641	NCB21HK-223X	C CAPACITOR				IC851	LB1641	IC	ACTU MOTOR DRIV	
	C 642	NCB21HK-222X	C CAPACITOR				IC852	LB1641	IC	CAM MOTOR DRIVE	
	C 643	NCB31CK-104X	C CAPACITOR				K 655	NQR0007-002X	FERRITE BEADS		
	C 644	NCB21EK-104X	C CAPACITOR				K 656	NQR0251-004X	FERRITE BEADS		
	C 651	NCS21HJ-8R0X	C CAPACITOR				K 657	NQR0251-004X	FERRITE BEADS		
	C 652	NCS21HJ-8R0X	C CAPACITOR				K 658	NQR0251-004X	FERRITE BEADS		
	C 653	NCB21CK-334X	C CAPACITOR				L 853	QQL29BJ-100Z	INDUCTOR	L MOTOR	
	C 655	NCB31CK-104X	C CAPACITOR				L 854	QQL29BJ-100Z	INDUCTOR	R MOTOR	
	C 656	NCB11EK-104X	C CAPACITOR				Q 291	2SB1424/QR/-X	TRANSISTOR	/P.ON	
	C 657	QER41AM-227	E CAPACITOR	220MF 20% 10V			Q 631	2SA1037AK/RS/-X	TRANSISTOR	APC	
	C 658	NCB21EK-104X	C CAPACITOR				Q 673	DTA114EE-X	DIGITAL.TR		
	C 661	NCS21HJ-471X	C CAPACITOR				R 201	NRSA02J-103X	MG RESISTOR		
	C 663	NCB21HK-223X	C CAPACITOR				R 251	NRSA02J-102X	MG RESISTOR		
	C 664	NCB21HK-223X	C CAPACITOR				R 252	NRSA02J-102X	MG RESISTOR		
	C 665	NCB21CK-154X	C CAPACITOR				R 253	NRSA02J-102X	MG RESISTOR		
	C 667	NCB21CK-474X	C CAPACITOR				R 254	NRSA02J-102X	MG RESISTOR		
	C 669	QER41AM-227	E CAPACITOR	220MF 20% 10V			R 255	NRSA02J-102X	MG RESISTOR		
	C 673	QER41AM-227	E CAPACITOR	220MF 20% 10V			R 256	NRSA02J-102X	MG RESISTOR		
	C 676	NCB21EK-104X	C CAPACITOR				R 257	NRSA02J-102X	MG RESISTOR		
	C 677	NCB21EK-104X	C CAPACITOR				R 258	NRSA02J-102X	MG RESISTOR		
	C 679	QER41AM-107	E CAPACITOR	100MF 20% 10V			R 259	NRSA02J-102X	MG RESISTOR		
	C 680	NCB21EK-104X	C CAPACITOR				R 260	NRSA02J-102X	MG RESISTOR		
	C 691	NCS21HJ-391X	C CAPACITOR				R 261	NRSA63J-223X	MG RESISTOR		
	C 692	NCS21HJ-391X	C CAPACITOR				R 262	NRSA63J-223X	MG RESISTOR		
	C 693	NCB21HK-682X	C CAPACITOR				R 263	NRSA63J-223X	MG RESISTOR		
	C 694	NCB21HK-682X	C CAPACITOR				R 271	NRSA02J-223X	MG RESISTOR		
	C 695	NCB21HK-473X	C CAPACITOR				R 272	NRSA02J-223X	MG RESISTOR		
	C 696	NEAD1CM-106X	E.CAPACITOR				R 274	NRSA02J-223X	MG RESISTOR		
	C 699	QER41AM-227	E CAPACITOR	220MF 20% 10V			R 276	NRSA02J-682X	MG RESISTOR		
	C 801	NCB21HK-153X	C CAPACITOR				R 277	NRSA02J-682X	MG RESISTOR		
	C 802	NCS21HJ-471X	C CAPACITOR				R 278	NRSA63J-102X	MG RESISTOR		

■ Electrical parts list(Servo control)

Block No. 04

△	Item	Parts number	Parts name	Remarks	Area
	R 279	NRSA63J-102X	MG RESISTOR		
	R 280	NRSA63J-102X	MG RESISTOR		
	R 281	NRSA63J-102X	MG RESISTOR		
	R 282	NRSA02J-103X	MG RESISTOR		
	R 283	NRSA02J-101X	MG RESISTOR		
	R 284	NRSA02J-102X	MG RESISTOR		
	R 285	NRSA02J-102X	MG RESISTOR		
	R 286	NRSA02J-102X	MG RESISTOR		
	R 287	NRSA02J-103X	MG RESISTOR		
	R 288	NRSA02J-103X	MG RESISTOR		
	R 289	NRSA63J-103X	MG RESISTOR		
	R 291	NRSA02J-122X	MG RESISTOR		
	R 292	NRSA02J-103X	MG RESISTOR		
	R 293	NRSA02J-103X	MG RESISTOR		
	R 294	NRSA02J-0R0X	MG RESISTOR		
	R 601	NRSA02J-684X	MG RESISTOR		
	R 602	NRSA02J-184X	MG RESISTOR		
	R 603	NRSA02J-333X	MG RESISTOR		
	R 604	NRSA02J-224X	MG RESISTOR		
	R 605	NRSA02J-683X	MG RESISTOR		
	R 606	NRSA02J-473X	MG RESISTOR		
	R 607	NRSA02J-473X	MG RESISTOR		
	R 608	NRSA02J-473X	MG RESISTOR		
	R 611	NRSA02J-751X	MG RESISTOR		
	R 612	NRSA02F-163X	MG RESISTOR		
	R 613	NRSA02J-751X	MG RESISTOR		
	R 614	NRSA02J-0R0X	MG RESISTOR		
	R 617	NRSA02J-222X	MG RESISTOR		
	R 631	NRSA02J-2R2X	MG RESISTOR		
	R 632	NRSA02J-100X	MG RESISTOR		
	R 634	NRSA02J-120X	MG RESISTOR		
	R 635	NRSA02J-121X	MG RESISTOR		
	R 636	NRSA02J-910X	MG RESISTOR		
	R 641	NRSA02J-154X	MG RESISTOR		
	R 642	NRSA02J-394X	MG RESISTOR		
	R 643	NRSA02J-683X	MG RESISTOR		
	R 644	NRSA02J-222X	MG RESISTOR		
	R 645	NRSA02J-222X	MG RESISTOR		
	R 646	NRSA02J-683X	MG RESISTOR		
	R 647	NRSA02F-163X	MG RESISTOR		
	R 648	NRSA02J-103X	MG RESISTOR		
	R 649	NRSA02J-103X	MG RESISTOR		
	R 651	NRSA02J-102X	MG RESISTOR		
	R 652	NRSA02J-102X	MG RESISTOR		
	R 653	NRSA02J-102X	MG RESISTOR		
	R 654	NRSA02J-102X	MG RESISTOR		
	R 659	NRSA02J-102X	MG RESISTOR		
	R 661	NRSA02J-102X	MG RESISTOR		
	R 662	NRSA02J-683X	MG RESISTOR		
	R 663	NRSA02J-124X	MG RESISTOR		
	R 664	NRSA02J-331X	MG RESISTOR		
	R 665	NRSA02J-151X	MG RESISTOR		
	R 666	NRSA02J-221X	MG RESISTOR		
	R 667	NRSA02J-4R7X	MG RESISTOR		
	R 668	NRSA02J-155X	MG RESISTOR		
	R 669	NRSA02J-562X	MG RESISTOR		
	R 670	NRSA02J-101X	MG RESISTOR		
	R 671	NRSA63J-684X	MG RESISTOR		
	R 673	NRSA63J-124X	MG RESISTOR		
	R 682	NRS181J-102X	MG RESISTOR		
	R 683	NRSA02J-105X	MG RESISTOR		
	R 685	NRSA02J-683X	MG RESISTOR		
	R 691	NRSA02J-103X	MG RESISTOR		

△	Item	Parts number	Parts name	Remarks	Area
	R 692	NRSA02J-103X	MG RESISTOR		
	R 695	NRSA02J-243X	MG RESISTOR		
	R 696	NRSA02J-243X	MG RESISTOR		
	R 701	NRSA02J-821X	MG RESISTOR		
	R 702	NRSA02J-821X	MG RESISTOR		
	R 703	NRSA02J-103X	MG RESISTOR		
	R 704	NRSA02J-103X	MG RESISTOR		
	R 705	NRSA02J-472X	MG RESISTOR		
	R 706	NRSA02J-202X	MG RESISTOR		
	R 707	NRSA02J-682X	MG RESISTOR		
	R 708	NRSA02J-101X	MG RESISTOR		
	R 709	NRSA02J-101X	MG RESISTOR		
	R 710	NRSA02J-221X	MG RESISTOR		
	R 801	NRSA02J-272X	MG RESISTOR		
	R 802	NRSA63J-392X	MG RESISTOR		
	R 803	NRSA63J-912X	MG RESISTOR		
	R 804	NRSA63J-224X	MG RESISTOR		
	R 805	NRSA02J-822X	MG RESISTOR		
	R 806	NRSA02J-273X	MG RESISTOR		
	R 807	NRSA02J-122X	MG RESISTOR		
	R 808	NRSA02J-273X	MG RESISTOR		
	R 809	NRSA02J-122X	MG RESISTOR		
	R 811	NRSA02J-473X	MG RESISTOR		
	R 812	NRSA02J-332X	MG RESISTOR		
	R 813	NRSA02J-122X	MG RESISTOR		
	R 852	NRSA02J-0R0X	MG RESISTOR	VZ	
	R 861	NRSA63J-102X	MG RESISTOR		
	R 862	NRSA63J-334X	MG RESISTOR		
	R 863	NRSA63J-102X	MG RESISTOR		
	R 864	NRSA63J-334X	MG RESISTOR		
	R 865	NRSA63J-334X	MG RESISTOR		
	R 866	NRSA63J-102X	MG RESISTOR		
	R 884	NRSA02J-102X	MG RESISTOR		
	R 885	NRSA02J-102X	MG RESISTOR		
	R 886	NRSA63J-102X	MG RESISTOR		
	R 887	NRSA63J-102X	MG RESISTOR		
	SW 1	QSW0844-001	PUSH SWITCH	TRY1 OPEN	
	SW 2	QSW0844-001	PUSH SWITCH	TRY1 CLOSE	
	SW 3	QSW0844-001	PUSH SWITCH	TRY2 OPEN	
	SW 4	QSW0844-001	PUSH SWITCH	TRY2 CLOSE	
	SW 5	QSW0844-001	PUSH SWITCH	TRY3 OPEN	
	SW 6	QSW0844-001	PUSH SWITCH	TRY3 CLOSE	
	SW680	QSW0865-001	CAM SWITCH	CAM SW	
	SW690	QSW0886-002	DETECT SWITCH	P.POSI1	
	SW691	QSW0886-002	DETECT SWITCH	P.POSI2	
	SW692	QSW0886-002	DETECT SWITCH	P.POSI3	
	SW693	QSW0886-002	DETECT SWITCH	SUB.TRY OP/CL	
	X 251	NAX0397-001X	C OSCILLATOR	FOR IC251 8.38M	
	X 651	QAX0599-001Z	CRYSTAL	FOR IC651	

■ Electrical parts list(Motor board)

Block No. 05

△	Item	Parts number	Parts name	Remarks	Area
	CN699	EMV7169-006R	CONNECTOR		
	S 699	VSH1173-001	SWITCH		

■ Electrical parts list(MD Main board)

Block No. 06

△	Item	Parts number	Parts name	Remarks	Area	△	Item	Parts number	Parts name	Remarks	Area
	C 300	NCF31CZ-104X	C CAPACITOR				C 451	NEA70GM-107X	E CAPACITOR		
	C 302	NCF31CZ-104X	C CAPACITOR				C 452	NCF31CZ-104X	C CAPACITOR		
	C 307	NCB31HK-222X	C CAPACITOR				C 453	NCF31CZ-104X	C CAPACITOR		
	C 310	NCB31HK-102X	C CAPACITOR				C 455	NDC32AJ-101X	C CAPACITOR		
	C 311	NCF21CZ-105X	C CAPACITOR				C 480	NEA70JM-476X	E CAPACITOR		
	C 312	NEA70GM-476X	E CAPACITOR				C 481	NCF21CZ-105X	C CAPACITOR		
	C 314	NCB31EK-223X	C CAPACITOR				C 482	NEA70JM-226X	E CAPACITOR		
	C 315	NCB31HK-102X	C CAPACITOR				C 483	NCF31CZ-104X	C CAPACITOR		
	C 316	NCF21CZ-105X	C CAPACITOR				C 484	NEAD1CM-106X	E CAPACITOR		
	C 318	NCB31HK-682X	C CAPACITOR				C 485	NCF31CZ-104X	C CAPACITOR		
	C 319	NCB31CK-333X	C CAPACITOR				C 486	NCF31CZ-104X	C CAPACITOR		
	C 320	NCB21AK-105X	C CAPACITOR				C 487	NCF31CZ-104X	C CAPACITOR		
	C 321	NCB31HK-472X	C CAPACITOR				C 488	NEAD1CM-106X	E CAPACITOR		
	C 322	NCB21AK-105X	C CAPACITOR				C 489	NEAD1VM-475X	E CAPACITOR		
	C 323	NCB31HK-682X	C CAPACITOR				C 490	NCB31CK-103X	C CAPACITOR		
	C 324	NCB21CK-224X	C CAPACITOR				C 491	NCB31HK-222X	C CAPACITOR		
	C 325	NCB31CK-103X	C CAPACITOR				C 492	NCB31HK-222X	C CAPACITOR		
	C 326	NCB31EK-223X	C CAPACITOR				C 493	NCF21CZ-105X	C CAPACITOR		
	C 327	NCB31CK-104X	C CAPACITOR				C 496	NCF21CZ-105X	C CAPACITOR		
	C 328	NCB31CK-104X	C CAPACITOR				C 497	NCF31CZ-104X	C CAPACITOR		
	C 330	NCF31CZ-104X	C CAPACITOR				C 501	NCS31HJ-180X	C CAPACITOR		
	C 333	NCB21CK-154X	C CAPACITOR				C 502	NCS31HJ-180X	C CAPACITOR		
	C 334	NCF31CZ-104X	C CAPACITOR				C 511	NCF31CZ-104X	C CAPACITOR		
	C 340	NCB31EK-223X	C CAPACITOR				C 512	NCF31CZ-104X	C CAPACITOR		
	C 341	NCB31EK-223X	C CAPACITOR				C 515	NCF31CZ-104X	C CAPACITOR		
	C 342	NCF31CZ-104X	C CAPACITOR				C 590	NCS31HJ-101X	C CAPACITOR		
	C 350	NEA70GM-476X	E CAPACITOR				C 591	NCF31CZ-104X	C CAPACITOR		
	C 351	NCF21CZ-105X	C CAPACITOR				CN321	QGF0501F2-21X	CONNECTOR	FOR PICK-UP	
	C 352	NEA70GM-476X	E CAPACITOR				CN407	QGF1006F2-08W	SOCKET	FOR CAM SW PWB	
	C 353	NCF21CZ-105X	C CAPACITOR				CN408	QGF1006F2-09W	CONNECTOR	FOR TRAMECHA PWB	
	C 354	NCF21CZ-105X	C CAPACITOR				CN451	QGF1016F2-04W	CONNECTOR	FOR HEAD	
	C 355	NCF31CZ-104X	C CAPACITOR				CN521	QGF1006F2-21W	SOCKET	FOR SYSTEM	
	C 358	NCF31CZ-104X	C CAPACITOR				CN601	QGF1006F2-09W	CONNECTOR	SERVO PWB	
	C 359	NCF31CZ-104X	C CAPACITOR				D 310	1SS355-X	DIODE	TEMP DET	
	C 361	NCF31CZ-104X	C CAPACITOR				D 451	RB160L-60-X	SB DIODE		
	C 375	NCB31CK-103X	C CAPACITOR				D 452	RB160L-60-X	SB DIODE		
	C 376	NCB21CK-474X	C CAPACITOR				IC310	CXA2523AR	IC	RF	
	C 377	NCS31HJ-471X	C CAPACITOR				IC340	TC7S08F-W	IC	APC PWM BUFFER	
	C 378	NCS31HJ-330X	C CAPACITOR				IC350	CXD2662R	IC		
	C 379	NCB21CK-474X	C CAPACITOR				IC390	HY51V17400CT-60	IC	4M*4 DRAM	
	C 380	NCB31CK-153X	C CAPACITOR				IC400	XC62ER3602M-X	IC		
	C 390	NCB10JM-106X	C CAPACITOR				IC410	M63008FP-X	IC	BTL DRIVER	
	C 400	NEAD1CM-226X	E CAPACITOR				IC450	BD7910FV-X	IC M.HEAD DRIVE	DRIVER	
	C 401	NEAD0JM-107X	E CAPACITOR				IC480	AK4519VF-X	IC A/D.D/A CONV		
	C 402	NCB31HK-331X	C CAPACITOR				IC485	TK11140SC-W	IC 4.0V REG		
	C 403	NEAD0GM-476X	E CAPACITOR				IC500	HD6432345A15FA	IC(MCU)		
	C 407	NCS31HJ-101X	C CAPACITOR				IC590	AK93C65AF-X	IC	256*16BIT EEPRO	
	C 408	NCS31HJ-101X	C CAPACITOR				K 346	NQR0360-001X	FERRITE BEADS		
	C 410	NEAD1CM-476X	E CAPACITOR				K 353	NQR0389-003X	FERRITE BEADS		
	C 411	NCF21CZ-105X	C CAPACITOR				K 491	NQR0022-005X	FERRITE BEADS		
	C 412	NCF31CZ-104X	C CAPACITOR				K 492	NQR0022-005X	FERRITE BEADS		
	C 415	NCB31CK-103X	C CAPACITOR				K 495	NQR0022-005X	FERRITE BEADS		
	C 421	NCB31HK-561X	C CAPACITOR				K 496	NQR0022-005X	FERRITE BEADS		
	C 423	NCB31HK-561X	C CAPACITOR				K 505	NQR0389-003X	FERRITE BEADS		
	C 425	NCB31HK-561X	C CAPACITOR				K 521	NQR0354-001X	FERRITE BEADS		
	C 427	NCB31HK-561X	C CAPACITOR				K 522	NQR0354-001X	FERRITE BEADS		
	C 429	NCB31HK-392X	C CAPACITOR				K 523	NQR0389-003X	FERRITE BEADS		
	C 431	NCB31HK-392X	C CAPACITOR				K 524	NQR0389-003X	FERRITE BEADS		
	C 433	NCB31HK-562X	C CAPACITOR				L 351	NQL315K-100X	INDUCTOR		
	C 435	NCB31HK-562X	C CAPACITOR				L 352	NQL315K-100X	INDUCTOR		
	C 437	NCB31HK-103X	C CAPACITOR				L 525	NQL274M-1R5X	INDUCTOR		
	C 439	NCB31HK-103X	C CAPACITOR				L 526	NQL274M-1R5X	INDUCTOR		
	C 450	NEA71CM-107X	E CAPACITOR				Q 330	2SA1362/GI-X	TRANSISTOR		

■ Electrical parts list(MD Main board)

Block No. 06

△	Item	Parts number	Parts name	Remarks	Area
	Q 331	DTA114EKA-X	D.TRANSISTOR		
	Q 332	DTA113ZKA-X	TRANSISTOR		
	Q 333	DTA113ZKA-X	TRANSISTOR		
	Q 400	2SA1363/EF/-X	TRANSISTOR		
	Q 401	2SA1363/EF/-X	TRANSISTOR		
	Q 410	DTC114EKA-X	TRANSISTOR		
	Q 411	DTC114EKA-X	TRANSISTOR		
	R 300	NRSA63J-0R0X	MG RESISTOR		
	R 301	NRS181J-0R0X	MG RESISTOR		
	R 302	NRSA63J-0R0X	MG RESISTOR		
	R 305	NRSA63J-222X	MG RESISTOR		
	R 306	NRSA63J-474X	MG RESISTOR		
	R 309	NRSA63J-474X	MG RESISTOR		
	R 310	NRSA63J-331X	MG RESISTOR		
	R 311	NRSA63J-183X	MG RESISTOR		
	R 312	NRSA63J-103X	MG RESISTOR		
	R 313	NRSA63J-104X	MG RESISTOR		
	R 314	NRSA63J-133X	MG RESISTOR		
	R 315	NRSA63J-243X	MG RESISTOR		
	R 316	NRSA63J-104X	MG RESISTOR		
	R 317	NRSA63J-103X	MG RESISTOR		
	R 320	NRSA63J-563X	MG RESISTOR		
	R 321	NRSA63J-331X	MG RESISTOR		
	R 322	NRSA63J-331X	MG RESISTOR		
	R 323	NRSA63J-331X	MG RESISTOR		
	R 324	NRSA63J-102X	MG RESISTOR		
	R 325	NRSA63J-472X	MG RESISTOR		
	R 326	NRSA63J-331X	MG RESISTOR		
	R 327	NRSA63J-331X	MG RESISTOR		
	R 328	NRSA63J-101X	MG RESISTOR		
	R 330	NRSA63J-8R2X	MG RESISTOR		
	R 331	NRSA63J-270X	MG RESISTOR		
	R 332	NRSA63J-473X	MG RESISTOR		
	R 333	NRSA63J-473X	MG RESISTOR		
	R 334	NRSA63J-473X	MG RESISTOR		
	R 335	NRSA63J-473X	MG RESISTOR		
	R 336	NRSA63J-104X	MG RESISTOR		
	R 337	NRSA63J-1R0X	MG RESISTOR		
	R 338	NRSA63J-4R7X	MG RESISTOR		
	R 339	NRSA63J-473X	MG RESISTOR		
	R 340	NRSA63J-222X	MG RESISTOR		
	R 341	NRSA63J-222X	MG RESISTOR		
	R 342	NRSA63J-222X	MG RESISTOR		
	R 343	NRSA63J-102X	MG RESISTOR		
	R 354	NRSA63D-103X	MG RESISTER		
	R 355	NRSA63D-103X	MG RESISTER		
	R 356	NRSA63J-102X	MG RESISTOR		
	R 361	NRSA63J-102X	MG RESISTOR		
	R 362	NRSA63J-102X	MG RESISTOR		
	R 363	NRSA63J-102X	MG RESISTOR		
	R 364	NRSA63J-102X	MG RESISTOR		
	R 365	NRSA63J-102X	MG RESISTOR		
	R 366	NRSA63J-102X	MG RESISTOR		
	R 367	NRSA63J-102X	MG RESISTOR		
	R 368	NRSA63J-102X	MG RESISTOR		
	R 369	NRSA63J-102X	MG RESISTOR		
	R 370	NRSA63J-104X	MG RESISTOR		
	R 371	NRSA63J-103X	MG RESISTOR		
	R 372	NRSA63J-103X	MG RESISTOR		
	R 375	NRSA63J-103X	MG RESISTOR		
	R 376	NRSA63J-104X	MG RESISTOR		
	R 377	NRSA63J-684X	MG RESISTOR		
	R 378	NRSA63J-332X	MG RESISTOR		

△	Item	Parts number	Parts name	Remarks	Area
	R 379	NRSA63J-102X	MG RESISTOR		
	R 380	NRSA63J-105X	MG RESISTOR		
	R 381	NRSA63J-102X	MG RESISTOR		
	R 382	NRSA63J-151X	MG RESISTOR		
	R 387	NRSA63J-331X	MG RESISTOR		
	R 389	NRSA63J-331X	MG RESISTOR		
	R 390	NRSA63J-331X	MG RESISTOR		
	R 391	NRSA63J-561X	MG RESISTOR		
	R 392	NRSA63J-102X	MG RESISTOR		
	R 393	NRSA63J-102X	MG RESISTOR		
	R 394	NRSA63J-102X	MG RESISTOR		
	R 395	NRSA63J-102X	MG RESISTOR		
	R 396	NRSA63J-331X	MG RESISTOR		
	R 397	NRSA63J-331X	MG RESISTOR		
	R 398	NRSA63J-331X	MG RESISTOR		
	R 399	NRSA63J-331X	MG RESISTOR		
	R 401	NRSA63D-153X	MG RESISTOR		
	R 402	NRSA63D-562X	MG RESISTER		
	R 403	NRSA63D-471X	MG RESISTER		
	R 404	NRSA63D-333X	MG RESISTER		
	R 420	NRSA63D-223X	RESISTOR		
	R 421	NRSA63D-103X	MG RESISTER		
	R 422	NRSA63D-223X	MG RESISTER		
	R 423	NRSA63D-103X	MG RESISTER		
	R 424	NRSA63D-223X	MG RESISTER		
	R 425	NRSA63D-103X	MG RESISTER		
	R 426	NRSA63D-223X	MG RESISTER		
	R 427	NRSA63D-103X	MG RESISTER		
	R 428	NRSA63D-153X	MG RESISTER		
	R 429	NRSA63D-392X	MG RESISTER		
	R 430	NRSA63D-153X	MG RESISTER		
	R 431	NRSA63D-392X	MG RESISTER		
	R 432	NRSA63D-123X	MG RESISTOR		
	R 433	NRSA63D-822X	MG RESISTER		
	R 434	NRSA63D-123X	MG RESISTOR		
	R 435	NRSA63D-822X	MG RESISTER		
	R 436	NRSA63J-223X	MG RESISTOR		
	R 437	NRSA63J-302X	MG RESISTOR		
	R 438	NRSA63J-223X	MG RESISTOR		
	R 439	NRSA63J-302X	MG RESISTOR		
	R 440	NRSA63D-103X	MG RESISTER		
	R 441	NRSA63D-103X	MG RESISTER		
	R 451	NRSA63J-473X	MG RESISTOR		
	R 452	NRSA63J-563X	MG RESISTOR		
	R 453	NRSA63J-1R0X	MG RESISTOR		
	R 454	NRSA63J-1R0X	MG RESISTOR		
	R 455	NRSA63J-223X	MG RESISTOR		
	R 456	NAD0006-103X	THERMISTOR		
	R 481	NRSA63J-100X	MG RESISTOR		
	R 483	NRSA63J-0R0X	MG RESISTOR		
	R 491	NRSA63J-471X	MG RESISTOR		
	R 492	NRSA63J-471X	MG RESISTOR		
	R 495	NRSA63J-471X	MG RESISTOR		
	R 496	NRSA63J-471X	MG RESISTOR		
	R 497	NRSA63J-1R0X	MG RESISTOR		
	R 502	NRSA63J-332X	MG RESISTOR		
	R 503	NRSA63J-103X	MG RESISTOR		
	R 504	NRSA63J-333X	MG RESISTOR		
	R 506	NRSA63J-473X	MG RESISTOR		
	R 509	NRSA63J-104X	MG RESISTOR		
	R 510	NRSA63J-102X	MG RESISTOR		
	R 511	NRSA63J-102X	MG RESISTOR		
	R 512	NRSA63J-102X	MG RESISTOR		

■ Electrical parts list(MD Main board)

Block No. 06

△	Item	Parts number	Parts name	Remarks	Area
	R 513	NRSA63J-102X	MG RESISTOR		
	R 514	NRSA63J-102X	MG RESISTOR		
	R 515	NRSA63J-102X	MG RESISTOR		
	R 516	NRSA63J-102X	MG RESISTOR		
	R 517	NRSA63J-104X	MG RESISTOR		
	R 518	NRSA63J-102X	MG RESISTOR		
	R 519	NRSA63J-102X	MG RESISTOR		
	R 520	NRSA63J-102X	MG RESISTOR		
	R 521	NRSA63J-102X	MG RESISTOR		
	R 522	NRSA63J-222X	MG RESISTOR		
	R 523	NRSA63J-102X	MG RESISTOR		
	R 524	NRSA63J-102X	MG RESISTOR		
	R 525	NRSA63J-102X	MG RESISTOR		
	R 531	NRSA63J-103X	MG RESISTOR		
	R 532	NRSA63J-103X	MG RESISTOR		
	R 533	NRSA63J-103X	MG RESISTOR		
	R 534	NRSA63J-103X	MG RESISTOR		
	R 535	NRSA63J-103X	MG RESISTOR		
	R 536	NRSA63J-103X	MG RESISTOR		
	R 537	NRSA63J-103X	MG RESISTOR		
	R 538	NRSA63J-473X	MG RESISTOR		
	R 540	NRSA63J-473X	MG RESISTOR		
	R 541	NRSA63J-473X	MG RESISTOR		
	R 545	NRSA63J-0R0X	MG RESISTOR		
	R 546	NRSA63J-0R0X	MG RESISTOR		
	R 547	NRSA63J-0R0X	MG RESISTOR		
	R 548	NRSA63J-0R0X	MG RESISTOR		
	R 551	NRSA63J-104X	MG RESISTOR		
	R 552	NRSA63J-104X	MG RESISTOR		
	R 554	NRSA63J-104X	MG RESISTOR		
	R 555	NRSA63J-102X	MG RESISTOR		
	R 556	NRSA63J-102X	MG RESISTOR		
	R 557	NRSA63J-102X	MG RESISTOR		
	R 558	NRSA63J-102X	MG RESISTOR		
	R 559	NRSA63J-0R0X	MG RESISTOR		
	R 560	NRSA63J-0R0X	MG RESISTOR		
	R 561	NRSA63J-0R0X	MG RESISTOR		
	R 562	NRSA63J-0R0X	MG RESISTOR		
	R 563	NRSA63J-102X	MG RESISTOR		
	R 564	NRSA63J-102X	MG RESISTOR		
	R 565	NRSA63J-102X	MG RESISTOR		
	R 566	NRSA63J-102X	MG RESISTOR		
	R 567	NRSA63J-102X	MG RESISTOR		
	R 568	NRSA63J-102X	MG RESISTOR		
	R 569	NRSA63J-102X	MG RESISTOR		
	R 591	NRSA63J-0R0X	MG RESISTOR		
	R 592	NRSA63J-104X	MG RESISTOR		
	R 593	NRSA63J-103X	MG RESISTOR		
	S 601	NSW0057-001X	2-SWITCH		
	S 602	NSW0007-001X	PUSH SWITCH		
	X 350	NAX0355-001X	CRYSTAL	90.3168MHZ	
	X 500	NAX0361-002X	CRYSTAL	10MHZ 30PPM	

■ Electrical parts list(Cam swith board)

Block No. 07

△	Item	Parts number	Parts name	Remarks	Area
	CN611	QGF1016F3-08	CONNECTOR		
	CN612	QGA1501F1-02	CONNECTOR		
	S 611	QSW0848-001	CAM SWITCH		

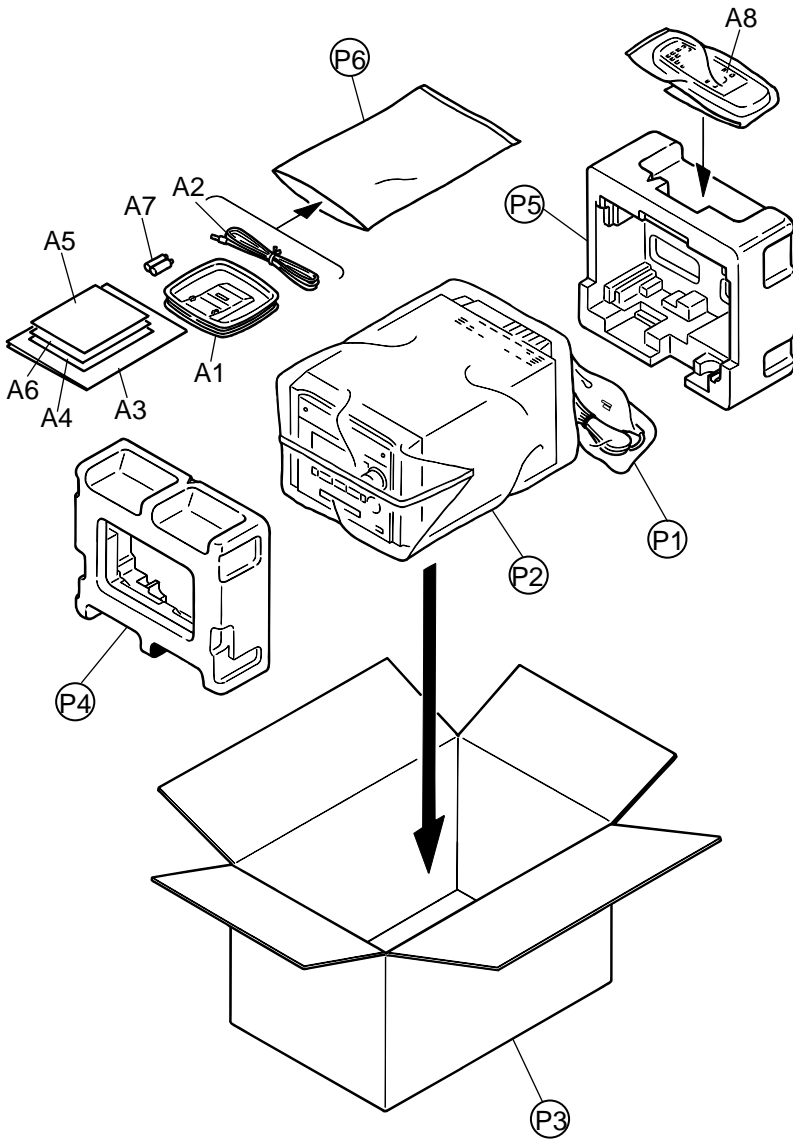
# Packing materials and accessories parts list

Block No. 

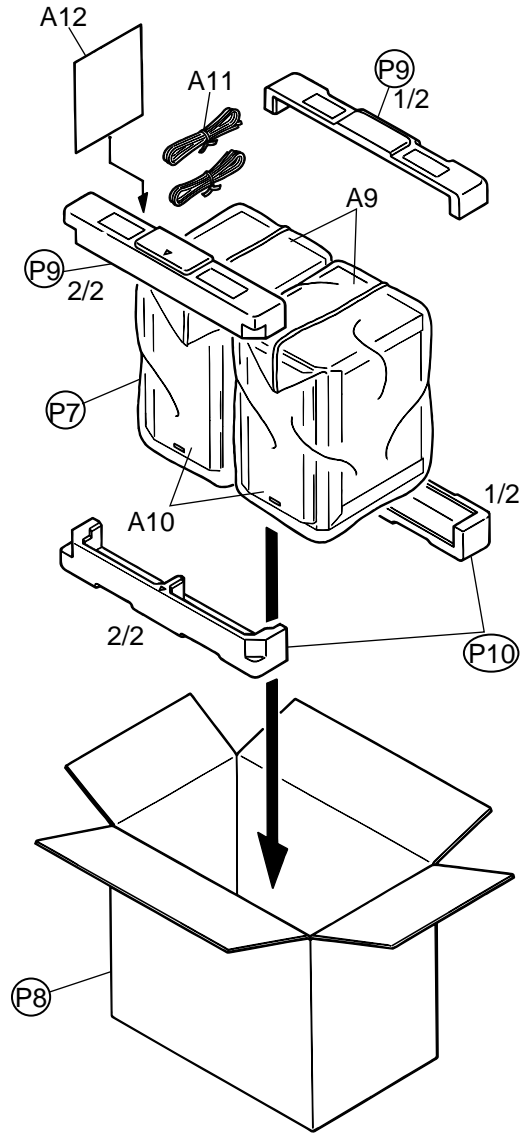
M	4	M	M
---	---	---	---

Block No. 

M	5	M	M
---	---	---	---



CA-MXS6MDR



SP-MXS6MD

■ Parts list(Packing)

Block No. M4MM

△	Item	Parts number	Parts name	Q'ty	Description	Area
	P 1	QPA01504505	ENVELOPE	1		B
	P 2	QPC05006515P	POLY BAG	1	FOR SET	
	P 3	LV32192-001A	PACKING CASE	1	CA-MXS6MDR	
	P 4	LV10394-001A	PACKING PAD(FRO	1		
	P 5	LV10395-001A	PACKING PAD(REA	1		
	P 6	QPC02503510P	POLY BAG	1	FOR ACCESSARY	
	P 7	8500028981	POLY BAG	1	SP-MXS6MD	
	P 8	8300040241	PACKING CASE	1	SP-MXS6MD	
	P 9	8000042601	TOP CUSHION	1	SP-MXS6MD	
	P 10	8000042611	BOTTOM CUSHION	1	SP-MXS6MD	

■ Parts list(Accessories)

Block No. M5MM

△	Item	Parts number	Parts name	Q'ty	Description	Area
	A 1	QAL0014-001	AM LOOP ANT	1		
	A 2	EWP503-001C	ANT.WIRE	1		
	A 3	LVT0528-001A	INST BOOK	1	ENG	B
		LVT0528-002A	INST.BOOK	1	ENG GER FRE DUT SPA ITA	E
		LVT0528-003A	INST.BOOK	1	SWE FIN DAN GER FRE DUT	EN
	A 4	LV42044-001A	INST SHEET	1		
		LV42045-001A	INST SHEET	1		EN
	A 5	VNA3000-202	REGIST.CARD	1		B
	A 6	BT-54008-2	WARRANTY CARD	1		
	A 7	-----	BATTERY	2		
	A 8	RM-SMXS6MDR	REMOCON	1	INSERT TO P.PAD	
	A 9	MXS6MDK-SPBOX-L	SPEAKER BOX	1	SP-MXS6MD	
		MXS6MDK-SPBOX-R	SPEAKER BOX	1	SP-MXS6MD	
	A 10	9913006711	SARAN BOARD	1	SP-MXS6MD	
	A 11	6200036801	SPEAKER CORD	1	SP-MXS6MD	
	A 12	LVT0575-001A	INST.BOOK	1	SP-MXS6MD	
		LVT0575-001A	INST.BOOK	1	SPA ITA SWE FIN	
		LVT0575-001A	INST.BOOK	1	ENG GER FRE DUT	
		LVT0575-001A	INST.BOOK	1	DAN	